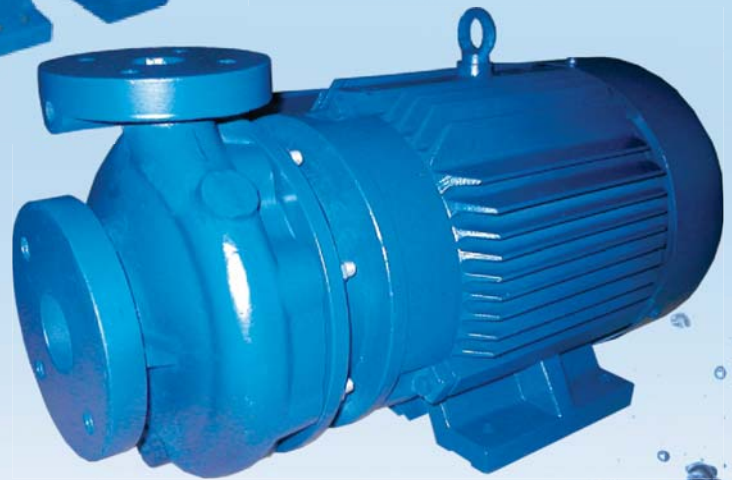


Rotech DNJ Series Pumps



General Purpose
End Suction Pumps



rotech
PUMPS & SYSTEMS INC.

Rotech DNJ Series Pumps

are close coupled with standard JM solid shaft ball bearing motors specially designed for pump applications in accordance with standards developed by the Hydraulic Institute (HI) and the National Electrical Manufacturers Association (NEMA).

Applications

Rotech DNJ Series Pumps are designed for applications in medium duty service, in heating and air conditioning, booster and general circulating services.

Specifications

Capacities	: Up to 2300 GPM
Head	: Up to 400 feet
Pressure	: Up to 175 psi
Horsepower	: Up to 100 hp
Temperature	: From 32 F to 200 F
Drives	: NEMA JM Motors
Liquids	: Water and Light Hydrocarbons
Materials	: Cast Iron, Bronze, Stainless Steel



Features

DNJ Series Pumps are available in cast iron bronze fitted and all iron Materials of Construction (MOC) with type 21 mechanical seals. All Stainless steel MOC can be supplied upon request.

Pump casing is fitted with a bronze replaceable wear ring. The pipe connections flanges are equivalent 150# ANSI flanges rated for 175# Maximum Working Pressure (MWP). Rotech can supply 200# or higher rated ANSI flanges connections if required.

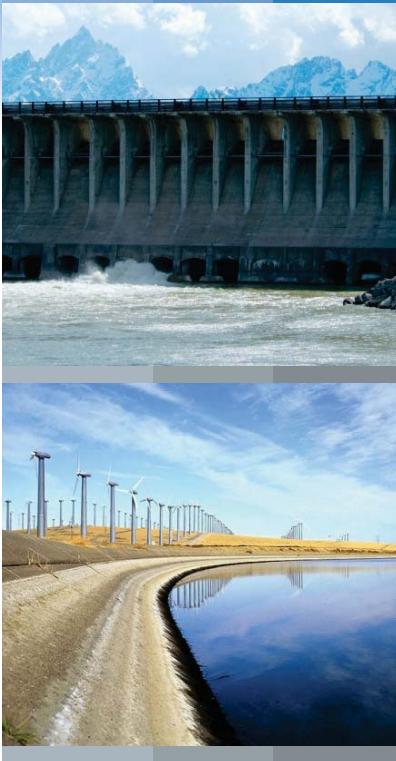
Motor bearings are grease lubricated and are sized for a minimum of 20,000 hours L10 basic rating life or 100,000 hours median bearing life. Shaft is designed to limit the shaft deflection to no more than .002" at the seal faces.

The motor/impeller shaft is protected with a replaceable (bronze) sleeve installed between the shaft and mechanical seal.

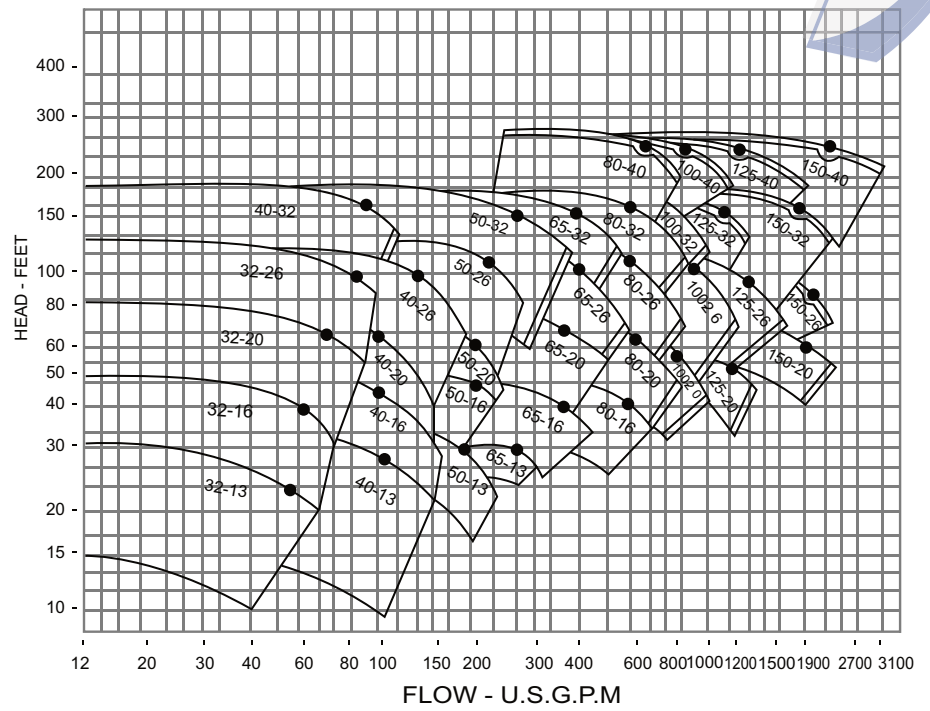
Mechanical seals are designed for water service and light hydrocarbons up to 200F. Seals are face type with Ceramic seat, carbon washer, stainless steel metal parts and Buna elastomers. Other seal faces and elastomers may be supplied upon request.

Rotech DNJ Series Pumps

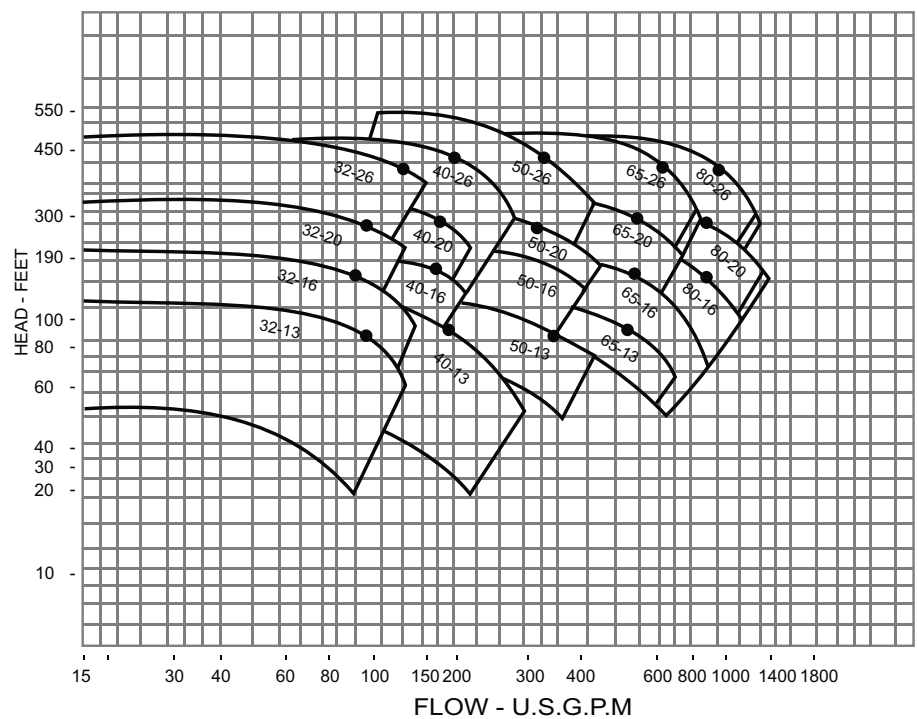
DNJ Pumps are furnished with enclosed dynamically balanced impellers for smooth, low vibration operation. DNJ Series pump designed tough, versatile products to meet your pumping needs. DNJ Series pump delivers variety, durability, standardized options and configurations. Please contact us to find out more about DNJ Series options and prices.



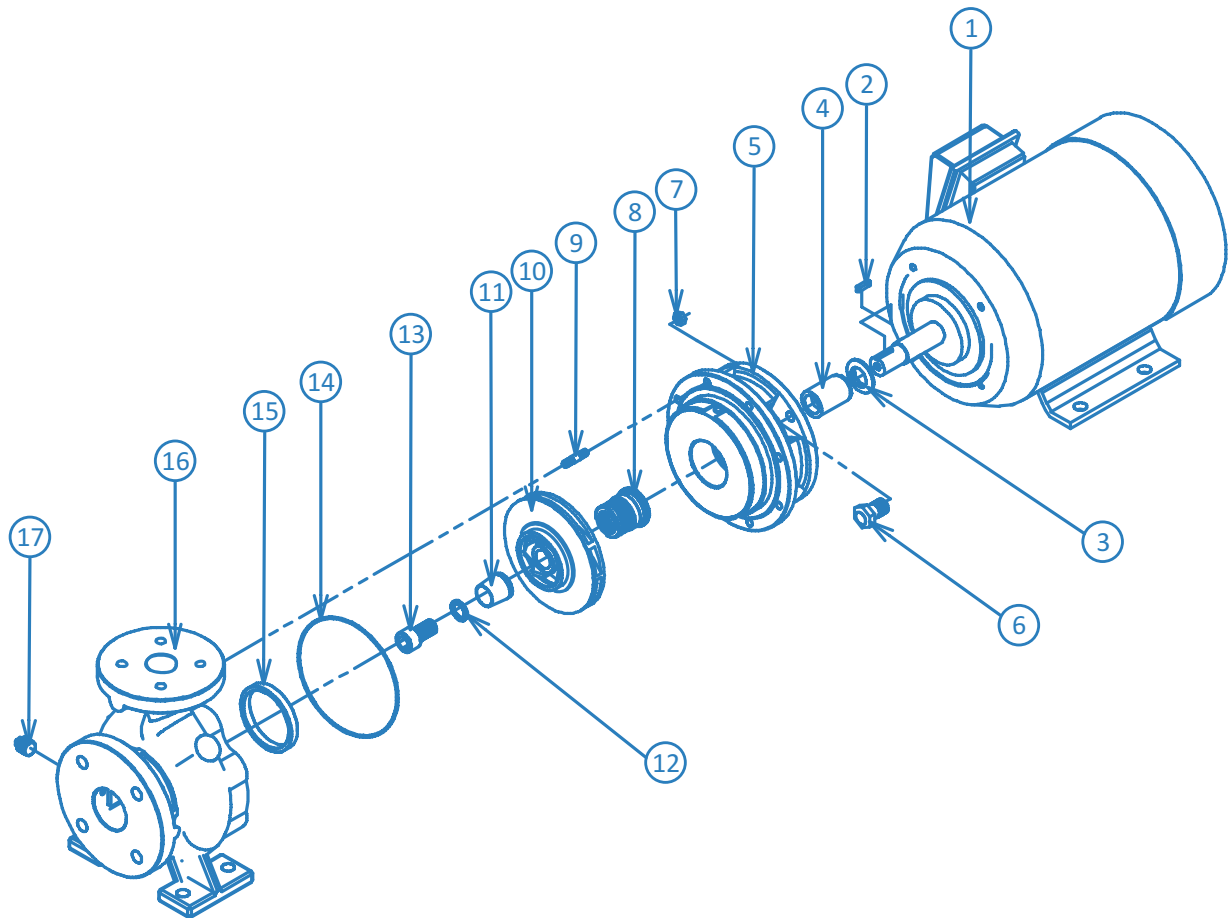
Selection Chart 1800 RPM



Selection Chart 3600 RPM



DNJ Blown-up Drawing

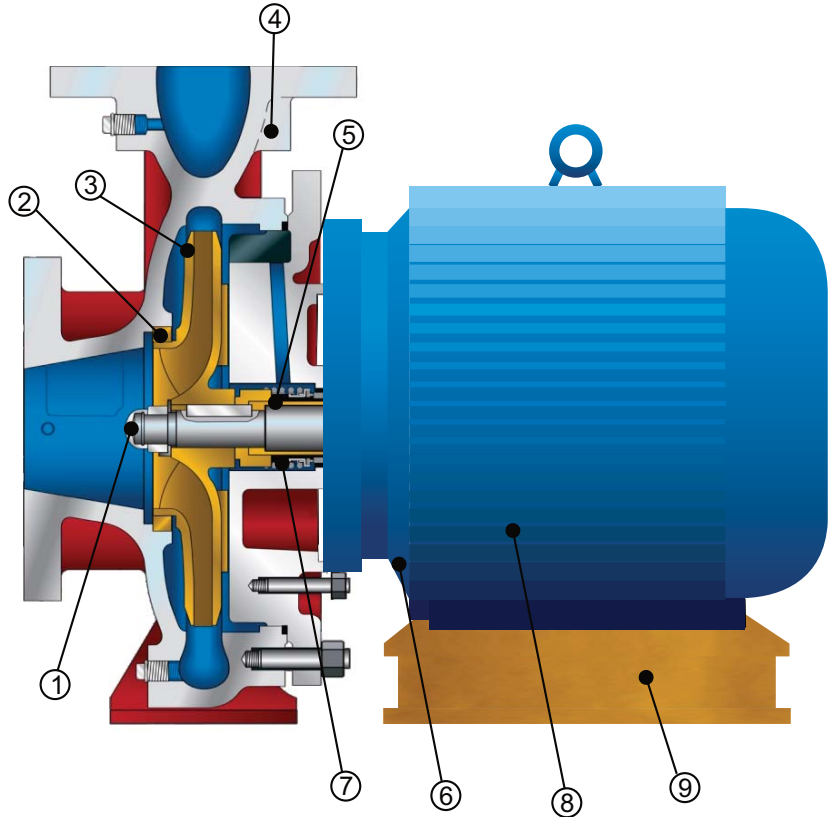


Item	Qty	Description	Material
1	1	JM Motor	Cast Iron/ Aluminum
2	1	Key	Steel
3	1	Slinger	Rubber
4	1	Shaft Sleeve	Bronze or St. Steel
5	1	Adaptor	Cast Iron
6	4	Bolt	Carbon Steel
7	4	Nut	Carbon Steel
8	1	Mechanical Seal	Car / Cer / NBR as normal
9	8	Bolt or Stud	Carbon Steel
10	1	Impeller	C.I / Bronze / St. Steel
11	1	Impeller Nut	Carbon Steel
12	1	Spring Washer	St. Steel
13	1	Hex pocket head bolt	Carbon Steel
14	1	O ring	NBR
15	1 or 2	Wear ring	C.I / Bronze / St. Steel
16	1	Pump casing	Carbon Steel
17	2	Plug	Carbon Steel





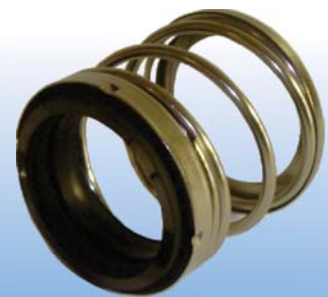
Cross Sectional View



Item	Description
1	Impeller Nut
2	Wear Ring
3	Impeller
4	Pump Casing
5	Shaft Sleeve
6	Adaptor
7	Mechanical Seal
8	Motor
9	Stool

Modular Interchangeability Chart

Model	Interchangeability of Parts									Motor Frame	Imp Nut			
	Casing	Impeller	Wear Ring	Casing	Casing Adaptor		Plug							
	DNJ** -001	DNJ** -002	B2106X-05-	Ring	Stud	Nut	1/4	3/8	1/2					
DNJ 32/13	32/13	32/13	70	Ø 140*3.1	5/16"-18*1 (8)	5/16"-18 (8)	(3)	-	-	182 JM	3/8"-16"			
DNJ 40/13	40/13	40/13	80							213 JM				
DNJ 50/13	50/13	50/13	95							254 JM	1/2"-13			
DNJ 65/13	65/13	65/13	115							213 JM				
DNJ 32/16	32/16	32/16	70	Ø 175*3.1	3/8"-16*1 1/8 (8)	3/8"-16 (8)	(2)	(1)	-	213 JM	3/8"-16			
DNJ 40/16	40/16	40/16	80							254 JM				
DNJ 50/16	50/16	50/16	95							256 JM	1/2"-13			
DNJ 65/16	65/16	65/16	115							286 JM				
DNJ 80/16	80/16	80/16	130	Ø 215*3.1	1/2"-13*1 1/4 (8)	1/2"-13 (8)	(2)	(1)	-	254 JM	1/2"-13			
DNJ 32/20	32/20	32/20	80							(3)		-	-	256JM
DNJ 40/20	40/20	40/20	80							286JM				
DNJ 50/20	50/20	50/20	85							-	(3)	-	185 / 185	
DNJ 65/20	65/20	65/20	115							-	(1)	(2)		
DNJ 80/20	80/20	80/20	130							-	(3)	-		
DNJ 100/20	100/20	100/20	160	Ø 265*3.1	1/2"-13*1 1/4 (12)	1/2"-13 (12)	(2)	(1)	-	-				
DNJ 125/20	125/20	125/20	180							-		(3)	-	
DNJ 150/20	150/20	150/20	185 / 185							-		(1)	(2)	
DNJ 32/26	32/26	32/26	80							-		(3)	-	
DNJ 40/26	40/26	40/26	95							-		(3)	(2)	
DNJ 50/26	50/26	50/26	115							(2)		(1)	-	
DNJ 65/26	65/26	65/26	115	Ø 330*3.1	1/2"-13*1 1/4 (12)	1/2"-13 (12)	(2)	(1)	-	-				
DNJ 80/26	80/26	80/26	130							-		(3)	-	
DNJ 100/26	100/26	100/26	160							-		(3)	(2)	
DNJ 125/26	125/26	125/26	180							-		(3)	-	
DNJ 40/32	40/32	40/32	95/95A							(2)		(1)	-	
DNJ 50/32	50/32	50/32	115/115							-		(3)	-	
DNJ 65/32	65/32	65/32	130/125	Ø 330*3.1	1/2"-13*1 1/4 (12)	1/2"-13 (12)	(2)	(1)	-	-				
DNJ 80/32	80/32	80/32	140/135							-		(3)	-	
DNJ 100/32	100/32	100/32	160/155							-		(3)	-	

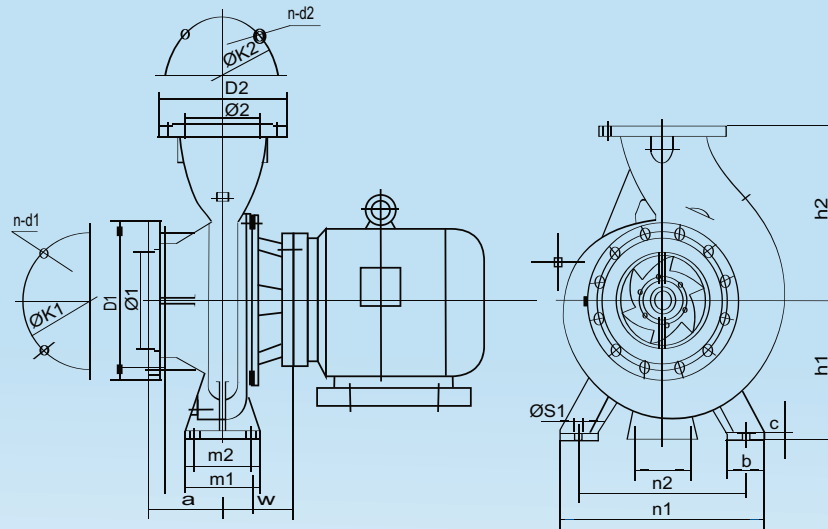




3600 RPM					1800 RPM											
Mechanical Seal 21-	Adaptor	Shaft Sleeve	Sleeve Ring	Adaptor-Motor Bolts	Motor Frame	Imp Nut	Mechanical Seal 21-	Adaptor	Shaft Sleeve	Sleeve Ring	Adaptor-Motor Bolts					
1 1/4"	13-1-182184	1.25"	Ø26.4*1.8	3/8"-16*3/4	143JM	3/8"-16	1 1/4"	13-1-143145	1.25"	Ø26.4*1.8	3/8" 16*3/4					
	13-1-213215				145JM											
1 5/8"	13-1-254256	1.625"	Ø34.3-1.8		1/2"-13*1							145JM	182JM	13-1-182184		
	16-2-213215											145JM	16-2-143145			
1 1/4"	16-2-213215	1.25"	Ø26.4*1.8		5/8"-11*1							184JM	213JM	16-2-213215	20-3-182184	1/2"-13*1
1 5/8"	16-2-254256	1.625"	Ø34.3*1.8									184JM	213JM	20-3-213215	20-3-182184	3/8"-16*3/4
1 5/8"	20-3-254256	1.625"	Ø34.3*1.8	1/2"-13*1	182JM	1/2"-13	1 5/8"	20-5-254256	1.625"	Ø34.3*1.8	1/2" 13*1					
	20-3-284286			184JM	20-5-284286											
				5/8"-11*1	215JM	3/8"-16	1 1/4"	20-5-324326	1.25"	Ø26.4*1.8	5/8"-11*1					
					254JM			26-4-213215								
					256JM			26-4-213215				26-4-213215				
					284JM			26-4-213215				26-4-213215				
					324JM	1/2"-13	1 5/8"	26-6-254256	1.625"	Ø34.3*1.8	5/8"-11*1					
					213JM			26-6-324386								
					215JM	1/2"-13	1 5/8"	32-8-254256	1.625"	Ø34.3*1.8	1/2"-13*1					
					256JM			32-8-284286								
					284JM			32-8-284286								
					324JM			32-9-284324								
					326JM			32-9-324326								
					254JM			32-9-324326								
					284JM											
					286JM											
					324JM											
					326JM											



Dimensional Data



MODEL	PUMP DIMENSION										PUMP FOOT DIMENSION						W(JM Motor Adaptor Size)				WEIGHT (LBS)									
	$\varnothing 1$	$\varnothing 2$	D1	$\varnothing K1$	n-d1	D2	$\varnothing K2$	n-d2	a	h1	h2	b	c	m1	m2	n1	n2	$\varnothing S1$	143184	213215	254256	284365	143184	213215	254256	284365				
DNJ 32/13	2	1.25	6	4.75	4-0.75	4.62	3.5	4-0.62	3.15	4.5	5.34	1.97	0.55	3.94	2.76	7.48	5.51	0.563	4.06					48.2						
DNJ 32/16	2	1.25	6	4.75	4-0.75	4.62	3.5	4-0.62	3.15	5.25	6.17	1.97	0.55	3.94	2.76	9.45	7.48	0.563	4.06	4.06				61.0	63.0					
DNJ 32/20	2	1.25	6	4.75	4-0.75	4.62	3.5	4-0.62	3.15	6.25	6.9	1.97	0.55	3.94	2.76	9.45	7.48	0.563	4.06	4.06	4.65			72.0	74.2	78.6				
DNJ 32/26	2	1.25	6	4.75	4-0.75	4.62	3.5	4-0.62	3.94	7	8.67	2.56	0.55	4.92	3.74	12.6	9.84	0.563	3.98	3.98	4.57	4.57		103.3	107.3	109.9	114.3			
DNJ 40/13	2.5	1.5	7	5.5	4-0.75	5	3.88	4-0.62	3.15	4.5	5.42	1.97	0.55	3.94	2.76	8.27	6.3	0.563	4.06	4.06				53.1	54.0					
DNJ 40/16	2.5	1.5	7	5.5	4-0.75	5	3.88	4-0.62	3.15	5.25	6.17	1.97	0.55	3.94	2.76	9.45	7.48	0.563	4.06	4.06				61.9	64.8					
DNJ 40/20	2.5	1.5	7	5.5	4-0.75	5	3.88	4-0.62	3.94	6.25	6.98	1.97	0.55	3.94	2.76	10.4	8.35	0.563	4.02	4.02	4.61			80.4	82.6	87.0				
DNJ 40/26	2.5	1.5	7	5.5	4-0.75	5	3.88	4-0.62	3.94	7	8.75	2.56	0.55	4.92	3.74	12.6	9.84	0.563	4.06	4.06	4.65	4.65		107.5	111.5	114.1	118.5			
DNJ 40/32	2.5	1.5	7	5.5	4-0.75	5	3.88	4-0.62	4.92	8	9.72	2.56	0.55	4.92	3.74	13.6	11	0.563		4.06	4.52			147.4	149.1					
DNJ 50/13	2.5	2	7	5.5	4-0.75	6	4.75	4-0.75	3.94	5.25	6.17	1.97	0.55	3.94	2.76	9.45	7.48	0.563	4.06	4.06	4.65			62.3	63.2	66.7				
DNJ 50/16	2.5	2	7	5.5	4-0.75	6	4.75	4-0.75	3.94	6.25	6.98	1.97	0.55	3.94	2.76	10.4	8.35	0.563	4.06	4.06	4.65			70.7	73.6	76.9				
DNJ 50/20	2.5	2	7	5.5	4-0.75	6	4.75	4-0.75	3.94	6.25	7.77	1.97	0.55	3.94	2.76	10.4	8.35	0.563	4.06	4.06	4.65	4.65		81.7	83.9	88.3	89.2			
DNJ 50/26	2.5	2	7	5.5	4-0.75	6	4.75	4-0.75	3.94	7.09	8.75	2.56	0.55	4.92	3.74	12.6	9.84	0.563	3.98	3.98	4.57	4.57		115.2	117.8	122.2	125.0			
DNJ 50/32	2.5	2	7	5.5	4-0.75	6	4.75	4-0.75	4.92	9	10.9	2.56	0.63	4.92	3.74	13.6	11	0.563		4.06	4.52	4.52			149.1	150.9	157.8			
DNJ 65/13	3	2.5	7.5	6	4-0.75	7	5.5	4-0.75	3.94	6.3	7.88	2.56	0.55	4.92	3.74	11	8.35	0.563	4.25	4.25	4.84			115.6	116.5	119.0				
DNJ 65/16	3	2.5	7.5	6	4-0.75	7	5.5	4-0.75	3.94	6.3	7.88	2.56	0.55	4.92	3.74	11	8.35	0.563	4.33	4.33	4.92	4.92		80.8	83.7	87.0	94.1			
DNJ 65/20	3	2.5	7.5	6	4-0.75	7	5.5	4-0.75	3.94	7	8.87	2.56	0.55	4.92	3.74	12.6	9.84	0.563		4.13	4.72	4.72			90.1	94.5	95.4			
DNJ 65/26	3	2.5	7.5	6	4-0.75	7	5.5	4-0.75	3.94	7.87	9.83	3.15	0.63	6.3	4.72	14.2	11	0.752		4.09	4.48	4.48			128.4	136.3	144.3			
DNJ 65/32	3	2.5	7.5	6	4-0.75	7	5.5	4-0.75	4.92	9	11.02	3.15	0.63	6.3	4.72	15.7	12.4	0.752			4.32	4.32				172.9	172.9			
DNJ 80/16	4	3	9	7.5	8-0.75	7.5	6	4-0.75	4.92	7.09	8.83	2.56	0.55	4.92	3.74	12.6	9.84	0.563	4.37	4.37	4.96	4.96		95.8	98.7	102.0	109.0			
DNJ 80/20	4	3	9	7.5	8-0.76	7.5	6	4-0.75	4.92	7.09	9.81	2.56	0.55	4.92	3.74	13.6	11	0.563		4.09	4.52	4.52			127.8	124.9	133.7			
DNJ 80/26	4	3	9	7.5	8-0.77	7.5	6	4-0.75	4.92	7.87	10.98	3.15	0.63	6.3	4.72	15.7	12.4	0.752			4.52	4.52				176.4	184.4			
DNJ 80/32	4	3	9	7.5	8-0.78	7.5	6	4-0.75	4.92	9.84	12.36	3.15	0.63	6.3	4.72	15.7	12.4	0.752			4.52	4.52				196.3	196.3			
DNJ 100/20	5	4	10	8.5	8-0.88	9	7.5	8-0.75	4.92	7.87	10.9	3.15	0.63	6.3	4.72	14.2	11	0.752			4.52					150.9				
DNJ 100/26	5	4	10	8.5	8-0.88	9	7.5	8-0.75	5.51	8.86	10.88	3.15	0.63	6.3	4.72	15.7	12.4	0.752			4.52	4.52				167.6	175.6			
DNJ 100/32	5	4	10	8.5	8-0.88	9	7.5	8-0.75	5.51	9.84	12.28	3.15	0.63	6.3	4.72	15.7	12.4	0.752				4.52					220.5			
DNJ 125/20	6	5	11	9.5	8-0.88	10	8.5	8-0.88	5.51	9.84	12.2	3.15	0.63	6.3	4.72	15.7	12.4	0.752			4.71	4.71				205.1	213.9			
DNJ 125/26	6	5	11	9.5	8-0.88	10	8.5	8-0.88	5.51	9.84	13.78	3.15	0.63	6.3	4.72	15.7	12.4	0.752			4.52	4.52				221.4	229.3			
DNJ 150/20	8	6	11	9.5	8-0.88	10	8.5	8-0.88	6.3	11	13.76	3.94	0.79	7.87	5.91	21.7	17.7	0.874				5.34					261.0			



1320 Britannia Road East,
Mississauga, Ontario, Canada. L4W 1C8
Tel : (905) 461- 9617 Fax : (905) 461- 9618
Toll Free : 1-866-217-PUMP (7867)

www.vcantech.com