

Self Priming Centrifugal Trash Pumps

SPT PUMPS



SPU PUMPS



“A perfect solution to Solid Handling”

Areas of Application

Waste and Water Treatment

Municipality, City Water

Sugar Industries

Effluent Treatment

Sewage Lift Station

Industrial Chemical Waste



Rotech Pumps presents a revolutionary range of Self Priming Centrifugal Trash Pumps – The High flow - Low head SPT Pumps. Ergonomically designed and aesthetically perfect, these SPT Pumps are economical and offer trouble-free operation in handling solids-laden liquids and slurries. The Self Priming Centrifugal Trash Pumps feature a large volume design which allows them to re-prime automatically in a completely open system without the need of suction or discharge check valves. And this is workable with the pump only partially filled with liquid and completely dry suction line. SPT Pumps can handle up to 75mm spherical solids, depending on pump models. In case that pump shaft or bearings need service or repair, the entire rotating assembly can be removed without disturbing pump casing or pipelines. Rotating assembly is sealed with an O-Ring, allowing for external adjustments of clearance.

Self priming Trash Pumps

Model SPT 2

Self-Priming

1150 rpm, 7.3m (24FT) - 1450 rpm, 7.6m (25FT)
1750 rpm, 7.6m (25ft) - 2050 rpm, 7.6m (25ft)
2350 rpm, 7.6m (25ft) - 2650 rpm, 7.6m (25ft)
2650 rpm, 7.6m (25ft) - 2900 rpm, 7.6m (25ft)

NPSHr @ rpm

Technical Data

Impeller Dia.	158.75 mm (6.1/4")
R.P.M.	from 1150 rpm to 2900 rpm
Max. Solids	44.45 mm (1.3/4")
Net Weight	92kg (203 lbs)
Shipping Weight	114kg (252 lbs)

* Before using this table, check the NPSHr.

Self priming Trash Pumps

Model SPT 3

Self-Priming

650 rpm, 1.5m (5ft) - 750 rpm, 1.8m (6ft)
1050 rpm, 4.0m (13ft) - 1150 rpm, 4.9m (16ft)
1450 rpm, 6.4m (21ft) - 1550 rpm, 6.4m (21ft)
1850 rpm, 7.6m (25ft) - 1950 rpm, 7.6m (25ft)

Technical Data

Impeller Dia.	222.25 mm (8.3/4")
R.P.M.	from 650 rpm to 2150 rpm
Max. Solids	63.5 mm (2.1/2")

NPSHr @ rpm

850 rpm, 2.4m (8ft) - 950 rpm, 3.0m (10ft)
1250 rpm, 5.5m (18ft) - 1350 rpm, 5.8m (19ft)
1650 rpm, 6.7m (22ft) - 1750 rpm, 6.7m (22ft)
2050 rpm, 7.6m (25ft) - 2150 rpm, 7.6m (25ft)

Net Weight	183kg (404 lbs)
Shipping Weights	205kg (452 lbs)

* Before using this table, check the NPSHr.

Self priming Trash Pumps

Model SPT 4

Self-Priming

850 rpm, 4.9m (16ft) - 950 rpm, 5.8m (19ft)
1250 rpm, 7.6m (25ft) - 1350 rpm, 7.6m (25ft)
1650 rpm, 7.6m (25ft) - 1750 rpm, 7.6m (25ft)

Technical Data

Impeller Dia.	247.65 mm (9.3/4")
R.P.M.	from 650 rpm to 1950 rpm
Max. Solids	76.2 mm (3")

NPSHr @ rpm

1050 rpm, 6.7m (22ft) - 1150 rpm, 7.3m (24ft)
1450 rpm, 7.6m (25ft) - 1550 rpm, 7.6m (25ft)
1850 rpm, 7.6m (25ft) - 1950 rpm, 7.6m (25ft)

Net Weight	259.5kg (600 lbs)
Shipping Weights	280kg (655 lbs)

* Before using this table, check the NPSH.

Self priming Trash Pumps

Model SPT 6

Self-Priming

650 rpm, 2.4m (8ft) - 750 rpm, 2.7m (9ft)

1050 rpm, 5.5m (18ft) - 1150 rpm, 6.4m (21ft)

1450 rpm, 7.0m (23ft) - 1550 rpm, 7.6m (25ft)

850 rpm, 3.6m (12ft) - 950 rpm, 4.2m (14ft)

1250 rpm, 6.4m (21ft) - 1350 rpm, 6.7m (22ft)

NPSHr @ rpm

Technical Data

Impeller Dia. 314.32 mm (12.3/8")

R.P.M. from 650 rpm to 1550 rpm

Max. Solids 76.2 mm (3")

Net Weight 364 (802 lbs)

Shipping Weights 391kg (862 lbs)

* Before using this table, check the NPSHr.

Self priming Trash Pumps

Model SPT 8

Self-Priming

650 rpm, 2.7m (9ft) - 750 rpm, 3.7m (12ft)

1050 rpm, 6.1m (20ft) - 1150 rpm, 6.4m (21ft)

850 rpm, 4.6m (15ft) - 950 rpm, 5.2m (17ft)

1250 rpm, 6.7m (22ft) - 1350 rpm, 7.0m (23ft)

NPSHr @ rpm

Technical Data

Impeller Dia. 374.65 mm (14.3/4")

R.P.M. from 650 rpm to 1350 rpm

Max. Solids 76.2 mm (3")

Net Weight 581kg (1295 lbs)

Shipping Weights 634kg (1399 lbs)

* Before using this table, check the NPSHr.

Self priming Trash Pumps

Model SPT 10

Self-Priming

650 rpm, 2.1m (7ft) - 750 rpm, 3.4m (11ft)

1050 rpm, 5.5m (18ft) - 1150 rpm, 5.5m (18ft)

1450 rpm, 6.7m (22ft)

850 rpm, 4.3m (14ft) - 950 rpm, 5.2m (17ft)

1250 rpm, 5.8m (19ft) - 1350 rpm, 6.7m (22ft)

NPSHr @ rpm

Technical Data

Impeller Dia. 374.65 mm (14.3/4")

R.P.M. from 650 rpm to 1450 rpm

Max. Solids 76.2 mm (3")

Net Weight 635kg (1400 lbs)

Shipping Weights 663kg (1461 lbs)

* Before using this table, check the NPSHr.

Self priming Trash Pumps

Model SPT 12

Self-Priming

650 rpm, 1.6m (5ft) - 750 rpm, 2.7m (9ft)

1050 rpm, 4.9m (16ft) - 1150 rpm, 4.9m (16ft)

850 rpm, 3.9m (13ft) - 950 rpm, 4.5m (15ft)

1250 rpm, 4.9m (16ft)

Technical Data

Impeller Dia. 457.2 mm (18")

R.P.M. from 650 rpm to 1250 rpm

Max. Solids 76.2 mm (3")

Net Weight 998kg (2200 lbs)

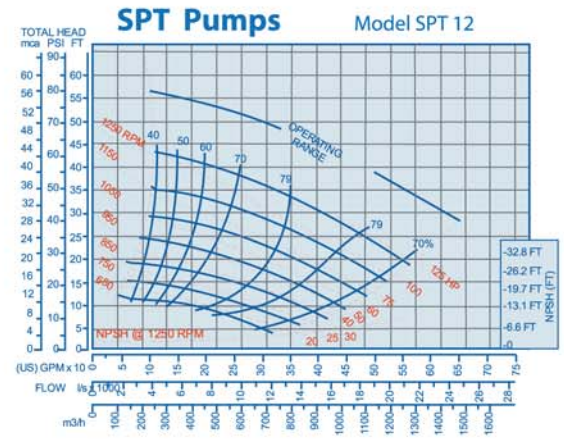
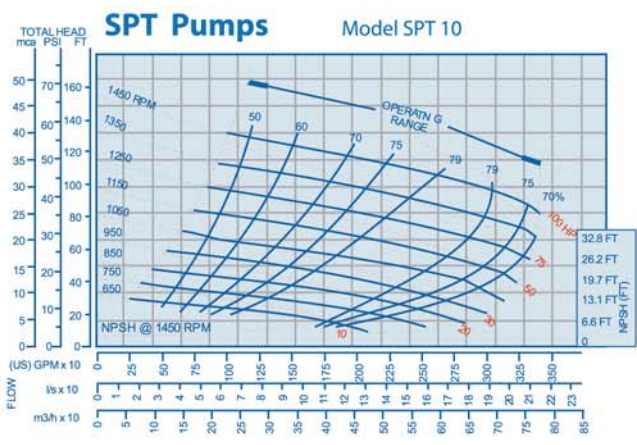
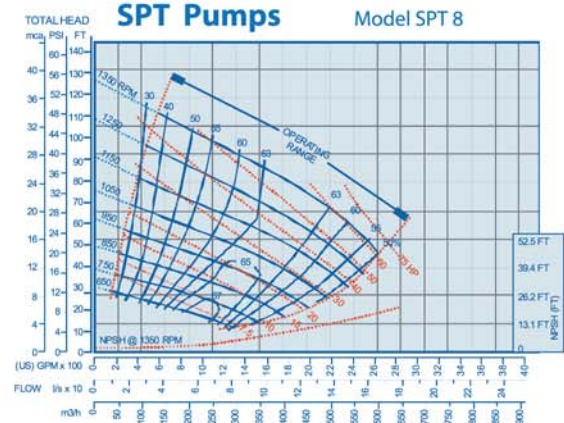
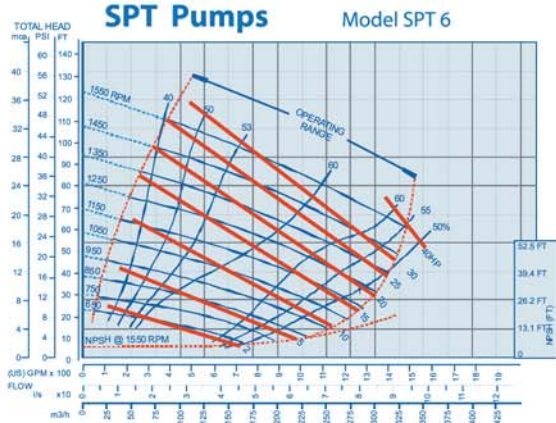
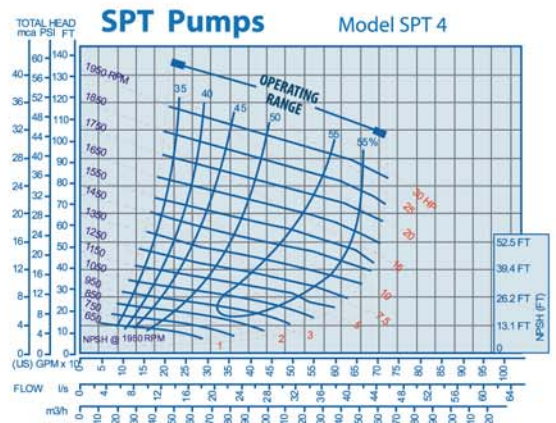
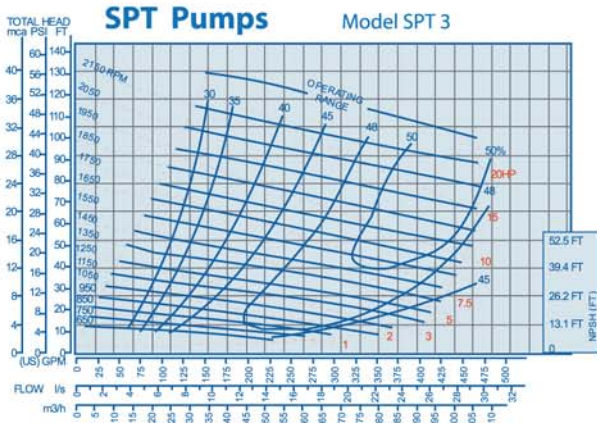
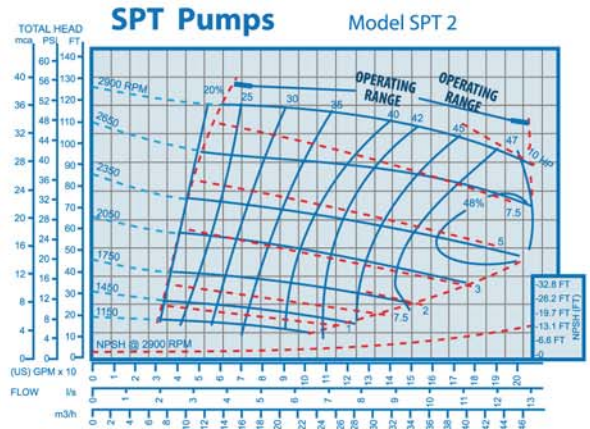
Shipping Weights 1066kg (2350 lbs)

* Before using this table, check the NPSHr.

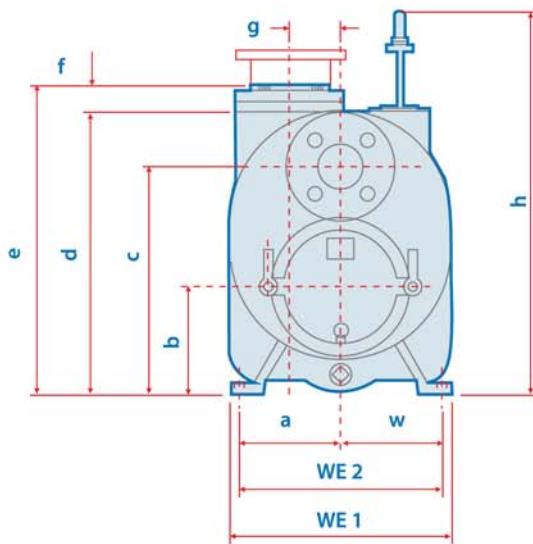


"A Trusted Partner in Pump Solutions"

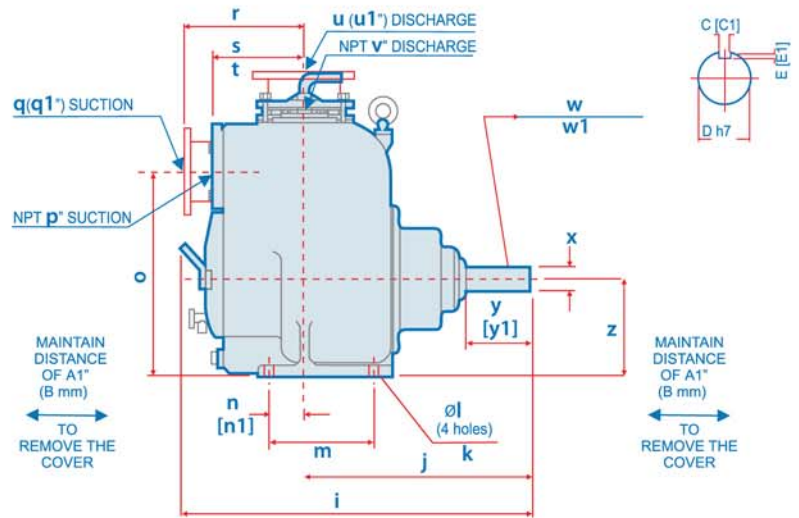
PERFORMANCE CURVE - SPT Pumps



SPT Pumps - DIMENSIONAL DATA



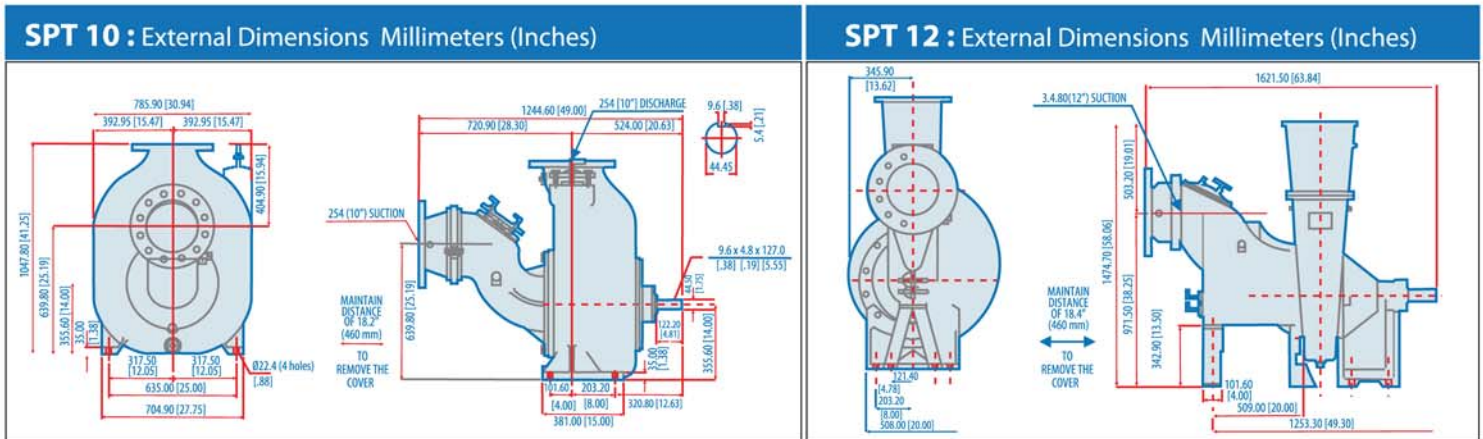
FRONT VIEW - External Dimensions Millimeters (Inches)



SIDE VIEW - External Dimensions Millimeters (Inches)

MODEL	FRONT VIEW - External Dimensions Millimeters (Inches)										
	WE 1	WE 2	w	a	b	c	d	e	f	g	h
SPT 2	308.30 [12.14]	281.00 [11.08]	140.50 [5.53]	140.50 [5.53]	151.50 [5.96]	318.00 [12.51]	395.00 [15.55]	430.00 [16.92]	35.00 [1.38]	70.00 [2.75]	535.00 [21.06]
SPT 3	431.80 [17.00]	393.70 [15.5]	196.85 [7.75]	196.85 [7.75]	190.50 [7.50]	431.80 [17.00]	533.40 [21.00]	565.00 [22.25]	31.80 [1.25]	69.80 [2.75]	687.00 [27.06]
SPT 4	501.60 [19.75]	457.20 [18.00]	228.60 [9.00]	228.60 [9.00]	495.30 [19.50]	619.30 [24.38]	654.00 [25.75]	743.00 [29.25]	35.00 [1.38]	69.80 [2.75]	741.40 [29.19]
SPT 6	577.90 [22.75]	577.90 [20.75]	263.50 [10.38]	263.50 [10.38]	-	568.30 [22.38]	717.70 [28.25]	768.80 [29.88]	-	69.90 [2.75]	896.09 [35.31]
SPT 8	704.90 [27.75]	635.00 [25.00]	317.50 [12.50]	317.50 [12.50]	330.20 [13.00]	723.90 [28.50]	960.40 [37.81]	1068.30 [42.06]	46.00 [1.81]	46.00 [1.81]	-

MODEL	SIDE VIEW - External Dimensions Millimeters (Inches)																												
	n1	n	o	p	q	q1	r	s	t	u	u1	v	w	w1	x	z	y	y1	l	k	j	i	m	A1	B	C	C1	D	E
SPT 2	[2.12]	54	318.00 [12.52]	2	50	2	233.90 [9.21]	141.00 [5.55]	50.8	2	2	9.6 X 4.8 X 95.0 [3.8] [1.9] [3.74]	38.10 [1.50]	151.50 [5.96]	103.00 [4.05]	14	[.55]	357.80 [14.09]	547.00 [21.53]	163.20 [6.42]	18.2	460	9.6	[.38]	38.1	5.4	[.21]		
SPT 3	[3.00]	76.20	431.80	3	76.20	3	295.6 [11.6]	185.70 [7.31]	76.20	3	3	9.6 X 4.8 X 76.2 [3.8] [1.9] [3.00]	38.10 [1.50]	190.50 [7.50]	101.60 [4.00]	17.5	[0.69]	668.30 [26.31]	730.20 [28.75]	228.60 [9.00]	18.2	460	9.6	[.38]	38.1	5.4	[.21]		
SPT 4	[3.60]	77.80	495.30 [19.50]	4	101.6	4	317.50 [12.50]	227.10 [8.94]	-	101.6	6	4	9.6 X 4.8 X 88.9 [3.8] [1.9] [3.50]	38.10 [1.50]	222.20 [8.75]	127.00 [5.00]	17.5	[0.69]	768.40 [30.25]	812.80 [32.00]	279.40 [11.00]	18.2	460	9.6	[.38]	38.1	5.4	[.21]	
SPT 6	[3.06]	77.80	568.30 [22.38]	6	150	6	408.20 [16.07]	268.30 [10.56]	150	6	6	9.6 X 4.8 X 88.9 [3.8] [1.9] [3.50]	38.10 [1.50]	257.20 [10.13]	127.00 [5.00]	17.5	[0.69]	901.70 [31.58]	903.50 [35.57]	279.40 [11.00]	18.2	460	9.6	[.38]	38.1	5.4	[.21]		
SPT 8	[4.00]	101.60	723.90 [28.50]	8	203.20	8	412.80 [16.25]	-	-	203.20	8	-	9.6 X 4.8 X 127 [3.8] [1.9] [5.00]	44.50 [1.75]	330.20 [13.00]	169.90 [6.69]	-	-	407.10 [16.03]	1023.10 [40.28]	304.80 [12.00]	24	610	9.6	[.38]	44.4	5.4	[.21]	



FRONT VIEW

SIDE VIEW

FRONT VIEW

SIDE VIEW



Rotech Pumps presents a revolutionary range of Self Priming Centrifugal Trash Pumps – The High Head - Low Flow SPU Pumps. Ergonomically designed and aesthetically perfect, these SPU Pumps are economical and offer trouble-free operation in handling solids-laden liquids and slurries. The Self Priming Centrifugal Utility Pumps feature a large volume design which allows them to re-prime automatically in a completely open system without the need of suction or discharge check valves. And this is workable with the pump only partially filled with liquid and completely dry suction line. SPU Pumps can handle up to 75mm spherical solids, depending on pump models. In case that pump shaft or bearings need service or repair, the entire rotating assembly can be removed without disturbing pump casing or pipelines. Rotating assembly is sealed with an O-Ring, allowing for external adjustments of clearance.

Self priming Trash Pumps

Model SPU 3

Self-Priming

850 rpm, 2.3m (7ft) - 1150 rpm, 2.9m (9ft)

1450 rpm, 4.5m (15ft) - 1750 rpm, 7.6m (25ft)

1950 rpm, 7.6m (25ft) - 2150 rpm, 7.6m (25ft)

NPSHr @ rpm

Technical Data

Impeller Dia. 279.4mm (11")

R.P.M. from 850 rpm to 2150 rpm

Max. Solids 20.63 mm (13/16")

Net Weight 214kg (472 lbs)

Shipping Weight 225kg (497 lbs)

* Before using this table, check the NPSHr.

Self priming Trash Pumps

Model SPU 4

Self-Priming

850 rpm, 2.4m (8ft) - 1150 rpm, 3.0m (10ft)

1950 rpm, 4.5m (15ft) - 2150 rpm, 5.2m (17ft)

1450 rpm, 3.6m (12ft) - 1750 rpm, 3.9m (13ft)

NPSHr @ rpm

Technical Data

Impeller Dia. 279.4mm (11")

R.P.M. from 850 rpm to 2150 rpm

Max. Solids 28.57 mm (1.1/8")

Net Weight 272kg (600 lbs)

Shipping Weights 297kg (655 lbs)

* Before using this table, check the NPSHr.

Self priming Trash Pumps

Model SPU 6

Self-Priming

850 rpm, 4.9m (16ft) - 950 rpm, 5.8m (19ft)

1250 rpm, 7.6m (25ft) - 1350 rpm, 7.6m (25ft)

1650 rpm, 7.6m (25ft) - 1750 rpm, 7.6m (25ft)

NPSHr @ rpm

1050 rpm, 6.7m (22ft) - 1150 rpm, 7.3m (24ft)

1450 rpm, 7.6m (25ft) - 1550 rpm, 7.6m (25ft)

1850 rpm, 7.6m (25ft) - 1950 rpm, 7.6m (25ft)

Technical Data

Impeller Dia. 247.65 mm (9.3/4")

R.P.M. from 650 rpm to 1950 rpm

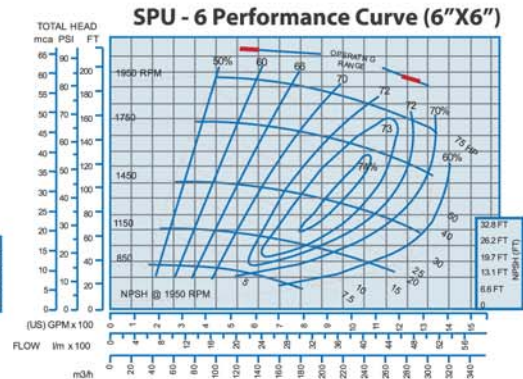
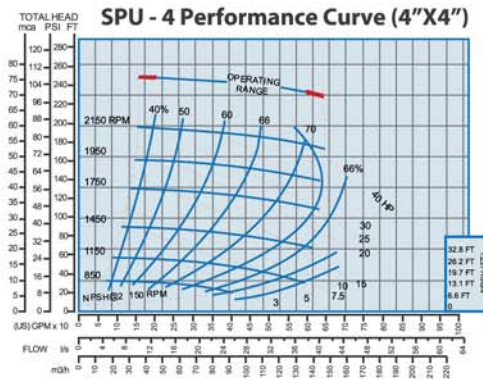
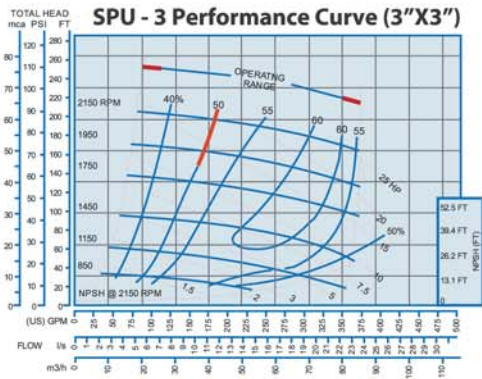
Max. Solids 76.2 mm (3")

Net Weight 259.5kg (600 lbs)

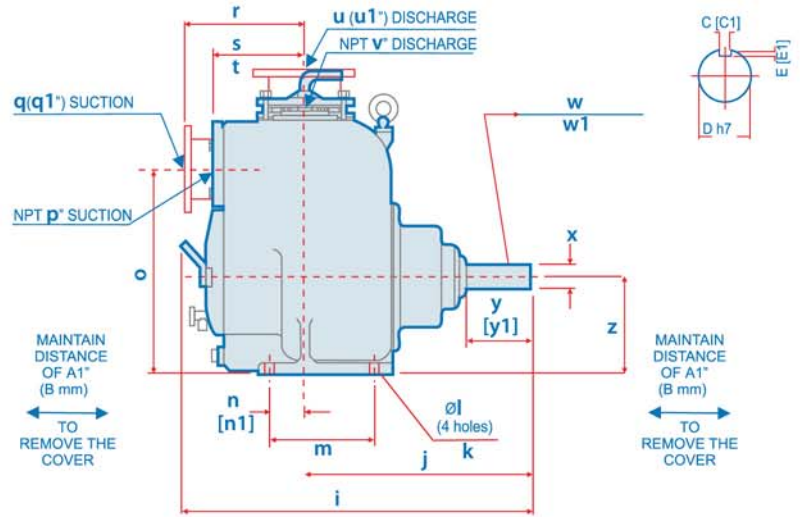
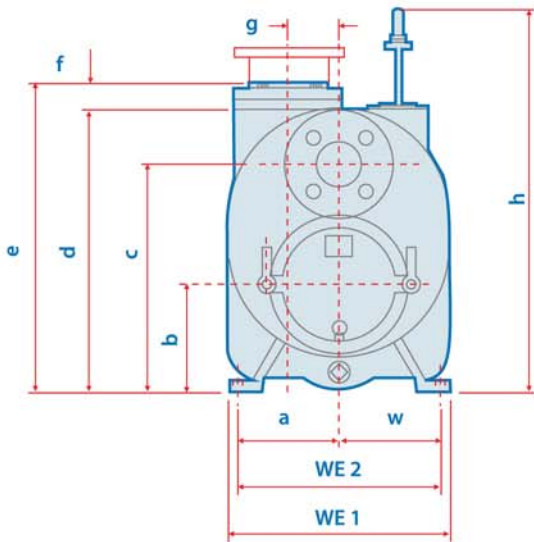
Shipping Weights 280kg (655 lbs)

* Before using this table, check the NPSHr.

PERFORMANCE CURVE - SPU Pumps



External Dimensions Millimeters (Inches)



Dimensional Data - SPU Pumps

MODEL	FRONT VIEW - External Dimensions Millimeters (Inches)										
	WE1	WE2	w	a	b	c	d	e	f	g	h
SPU 3	431.80[17.00]	393.60[15.50]	196.80[7.75]	196.80[7.75]	190.50[7.50]	431.80[17.00]	564.60[22.23]	685.80[27.00]	-	69.80[2.75]	671.30[26.43]
SPU 4	508.00[20.00]	457.20[18.00]	228.60[9.00]	228.60[9.00]	-	508.00[20.00]	666.00[20.00]	753.90[29.68]	-	69.80[2.75]	766.80[30.19]
SPU 6	584.20[23.00]	527.20[18.00]	263.60[10.38]	263.60[10.38]	-	568.40[22.38]	717.50[28.25]	759.00[29.88]	41.50[1.63]	69.80[2.75]	852.40[33.58]

MODEL	SIDE VIEW - External Dimensions Millimeters (Inches)																													
	n1	n	o	p	q	q1	r	s	t	u	u1	v	w	w1	x	z	y	y1	l	k	j	i	m	A1	B	C	C1	D	E	E1
SPU 3	[3.00]	76.20	431.00 [27.00]	3	786.20	3	282.10 [11.50]	184.90	[7.28]	76.20	3	3	9.6 [4.8] [76.2]	[.38] [1.19] [3.00]	38.10 [1.50]	190.50 [7.50]	103.10	[4.06]	-	282.90 [11.14]	666.80 [26.25]	727.40 [28.64]	152.40 [6.00]	18.4	460	9.6	[.38]	38.1	5.4	[.21]
SPU 4	[1.00]	25.40	666.80 [26.25]	4	101.60	4	213.70 [12.31]	225.50 [8.88]	[8.88]	101.60	4	4	9.6 [4.8] [88.9]	[.38] [1.19] [3.50]	-	222.20 [8.75]	126.20	[4.97]	-	282.90 [11.14]	480.10 [18.90]	792.80 [31.21]	279.40 [11.00]	18.1	460	9.6	[.38]	38.1	5.4	[.21]
SPU 6	[3.06]	77.70	658.40 [22.38]	6	152.4	6	406.40 [16.00]	268.20	[10.56]	152.4	6	4	9.6 [4.8] [88.9]	[.38] [1.19] [3.50]	121.40 [4.97]	257.00 [10.12]	121.40	[4.97]	-	-	538.20 [21.19]	944.60 [37.19]	201.70 [7.94]	18.4	460	9.6	[.38]	38.1	5.4	[.21]

Rotech's Other Products

- End Suction Close-coupled centrifugal Pumps
- End Suction Frame mounted centrifugal Pumps
- ANSI Chemical Process Pumps
- Vertical Inline Centrifugal Pumps
- Vertical Multi-stage Pumps
- Stainless Steel Stamped End section Pumps
- Horizontal split case Pumps
- Vertical Turbine Pumps
- Ball Check valves
- Mechanical Seals

Apart from the listed above, we offer an array of other products also.
Contact us to get further details.



"A Trusted Partner in Pump Solutions"

Website : www.rotechpumps.com

Rotech Pumps & Systems Inc.

1320 Britannia Road East,
Mississauga, Ontario,
Canada. L4W 1C8
Ph No : (905) 461-9617
Fax : (905) 461-9618
Toll Free : 1 866 217 PUMP (7867)
Email : sales@rotechpumps.com