



"A Trusted Partner in Pump Solutions"

RST SERIES END-SUCTION STAINLESS STEEL PUMPS



RST701 / RST702

RST SERIES CLOSE COUPLED CENTRIFUGAL

This series of centrifugal pumps are designed for continuous duty performance. The pumps are manufactured in welded 304 SS for reduced corrosion and - as a standard - are fitted with a ceramic / carbon graphite / EPDM mechanical seal.

They are single stage end suction centrifugal pumps close coupled to NEMA standard motors with enclosed impellers for maximum efficiencies.

Motors are NEMA 56J industry standard and are available in ODP and TEFC enclosures.

- Inlet & Outlet Connections: NPT
- Flow Rate: **RST701** - 62 GPM max.
RST702 - 105 GPM max.
- Pressure: **RST701** - 51 PSI max.
RST702 - 47 PSI max.
- Pump Metallurgy: 304 Stainless Steel
- Impeller Type: Enclosed
- Impeller Diameter: 5.75" max.
- Standard Mechanical Seal: Ceramic / Carbon Graphite / EPDM
- Upgrade Options: Carbon/Ceramic/Viton, Sic/sic/EPDM, sic/sic/Viton

APPLICATIONS:

- Chiller Systems
- Spray Systems
- Filtration Systems
- Washing / Cleaning
- Liquid Transfer
- Water Circulation

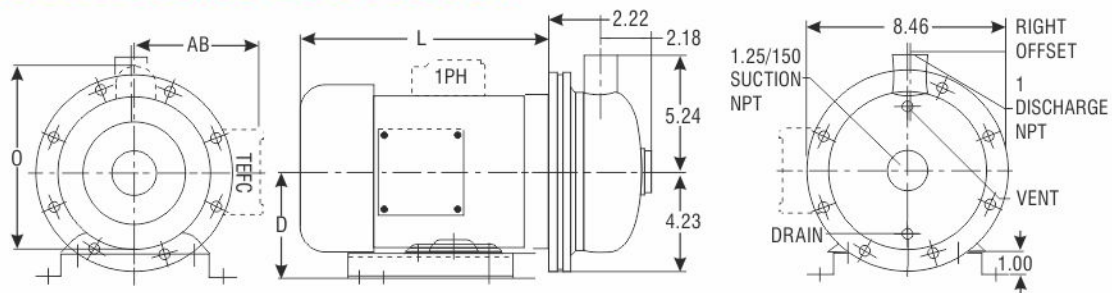
PUMP FEATURES:

- Size: **RST701** - 1.25" x 1.00" (suction x discharge)
RST702 - 1.50" x 1.25" (suction x discharge)

MOTOR FEATURES:

- Horsepower Range: **RST701** - 0.5hp to 3.0hp
RST702 - 1.5hp to 5.0hp
- Enclosures Available: ODP and TEFC
- Hertz: 60
- Speed: 3600 RPM
- Motor Voltages Available: 1 Phase 115/230 V
3 Phase 208-230/460 V
3 Phase 575 V

DIMENSIONAL DRAWING



RST701 with 1 PHASE 56J 3600 RPM TEFC Motor

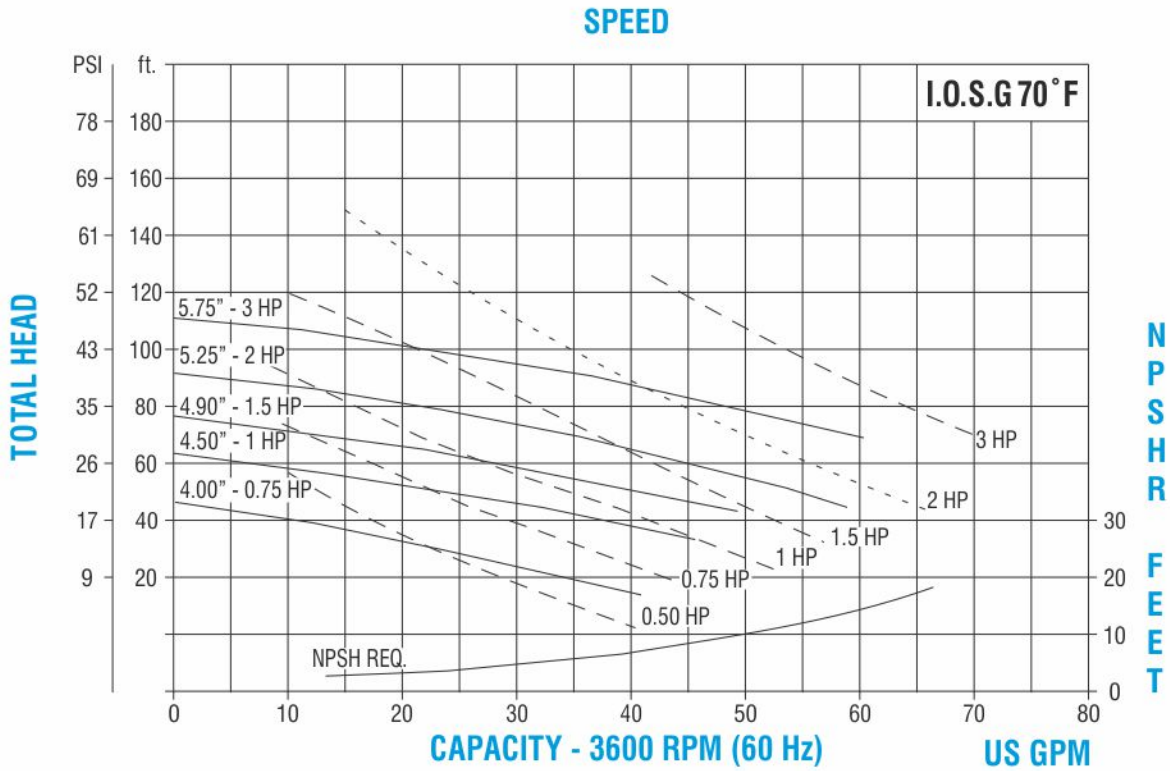
MOTOR DIMENSIONS NEMA 56J FRAME 3600RPM

HP	FRAME	TYPE	1PH				3PH			
			L	O	D	AB	L	O	D	AB
.50	56J	ODP	8.37	8.00	3.50	3.25	8.37	6.50	3.50	3.25
.75	56J	ODP	8.37	8.00	3.50	3.25	8.37	6.50	3.50	3.25
1.0	56J	ODP	8.37	8.00	3.50	3.25	8.37	6.50	3.50	3.25
1.5	56J	ODP	8.87	8.00	3.50	3.25	8.87	6.50	3.50	3.25
2.0	56J	ODP	8.87	8.00	3.50	3.25	8.87	6.50	3.50	3.25
3.0	56J	ODP	9.37	8.00	3.50	3.25	9.37	6.50	3.50	3.25
.50	56J	TEFC	12.00	8.13	4.50	5.31	9.43	7.04	4.50	5.31
.75	56J	TEFC	12.00	8.13	4.50	5.31	9.43	7.04	4.50	5.31
1.0	56J	TEFC	13.18	8.13	4.50	5.31	9.43	7.04	4.50	5.31
1.5	56J	TEFC	13.18	8.13	4.50	5.31	9.43	7.04	4.50	5.31
2.0	56J	TEFC	14.36	8.13	4.50	5.31	10.61	7.04	4.50	5.31
3.0	56J	TEFC	14.75	8.13	4.50	5.31	11.30	7.04	4.50	5.31

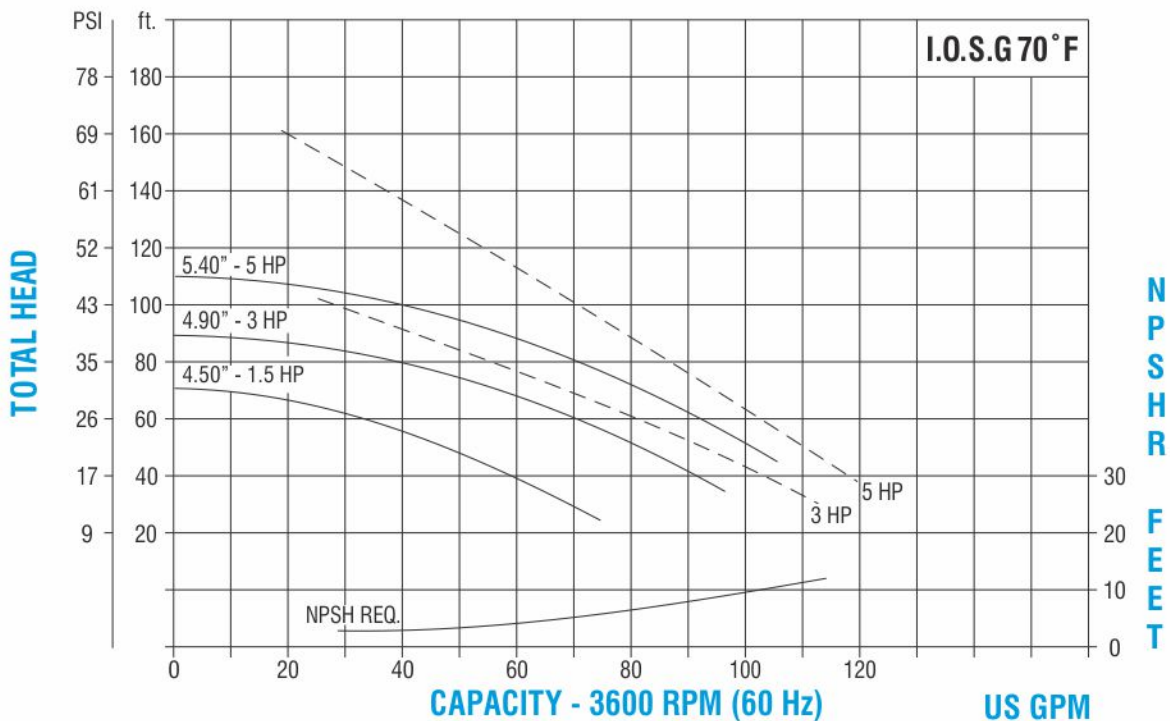
All Dimensions are in inches. Pumps must only be installed in the Horizontal Position.

PERFORMANCE CURVE

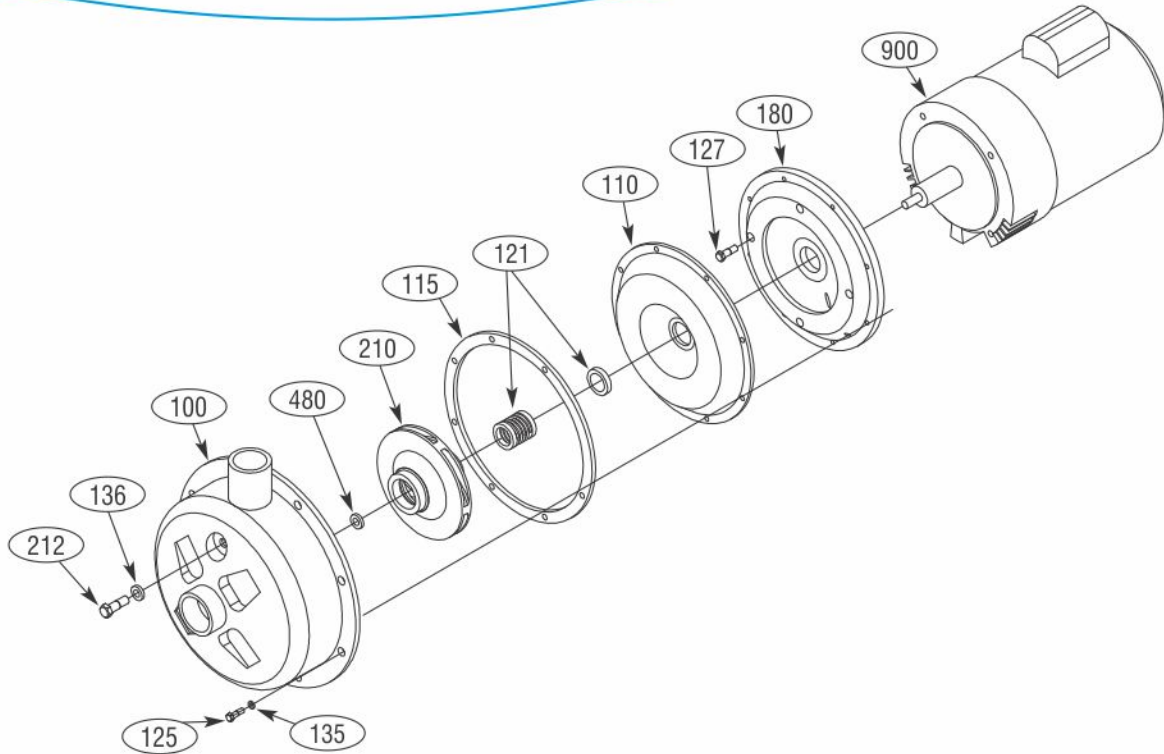
Pump Size: (Inlet x Outlet x Max. Impeller Diameter) 1.25"x1.0"x5.75"
 Impeller Type: Enclosed



Pump Size: (Inlet x Outlet x Max. Impeller Diameter) 1.50"x1.25"x5.4"
 Impeller Type: Enclosed



EXPLODED VIEW



PART NO.	PART NAME	MATERIAL	NO. FOR 1 UNIT
100	Casing	SS 304	1
110	Seal Plate	SS 304	1
115	O-Ring	EPDM / Viton	1
121	Mechanical Seal	Carbon Graphite / Ceramic / EPDM	1
125	Bolt	Stainless Steel	8
127	Bolt	Stainless Steel	4
135	Washer	SS 304	8
136	Washer	Ss304	2
180	Bracket	Aluminum	1
210	Impeller	SS 304	1
212	Plug	Stainless Steel	2
480	Impeller Nut	SS 304	1
900	Motor	-	1



"A Trusted Partner in Pump Solutions"

1320 Britannia Road East
Mississauga, Ontario, Canada. L4W 1C8

Phone: (905) 461-9617 | Fax: (905) 461-9618
Toll Free: 1-866-217-PUMP (7867)

Email: sales@rotechpumps.com | www.rotechpumps.com