

MODEL 3100

ROTECH BALL CHECK VALVE (THREADED)

Size: - 1" to 3"

Max. Temp. : - 90°C

Working Pressure: - 145 PSI

The ball check valve has threaded ends and works vertically or horizontally.
The valve can be supplied with NPT & BSP threaded connection.



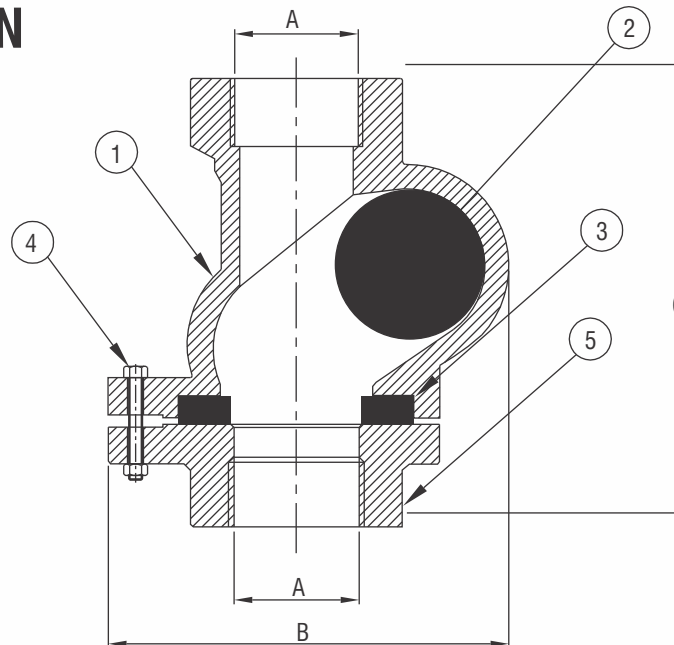
MATERIAL OF CONSTRUCTION

PART	DESCRIPTION	STANDARD	SPECIAL
1	Body	Ductile Iron	Stainless Steel, Cast Steel
2	Ball	Nitrile Rubber	EPDM, Neoprene
3	Seal Ring	Nitrile Rubber	Butyle, Viton
4	Fastener	Stainless Steel	Stainless Steel
5	Adapter	Ductile Iron	Stainless Steel, Cast Steel

DIMENSION

SIZE	PART NO.	A	B	C	WT. (LBS)
1"	3131	1"	3.543	3.937	4
1 - 1/4"	3132	1 - 1/4"	3.543	3.937	4
1 - 1/2"	3133	1 - 1/2"	4.921	5.315	5
2"	3134	2"	5.827	6.496	8
3"	3135	3"	9.133	9.606	15

CROSS SECTION



"A Trusted Partner in Pump Solutions"

1320 Britannia Road East
Mississauga, Ontario, Canada. L4W 1C8

Phone: (905) 461-9617 | Fax: (905) 461-9618
Toll Free: 1-866-217-PUMP (7867)

Email: sales@rotechpumps.com | www.rotechpumps.com