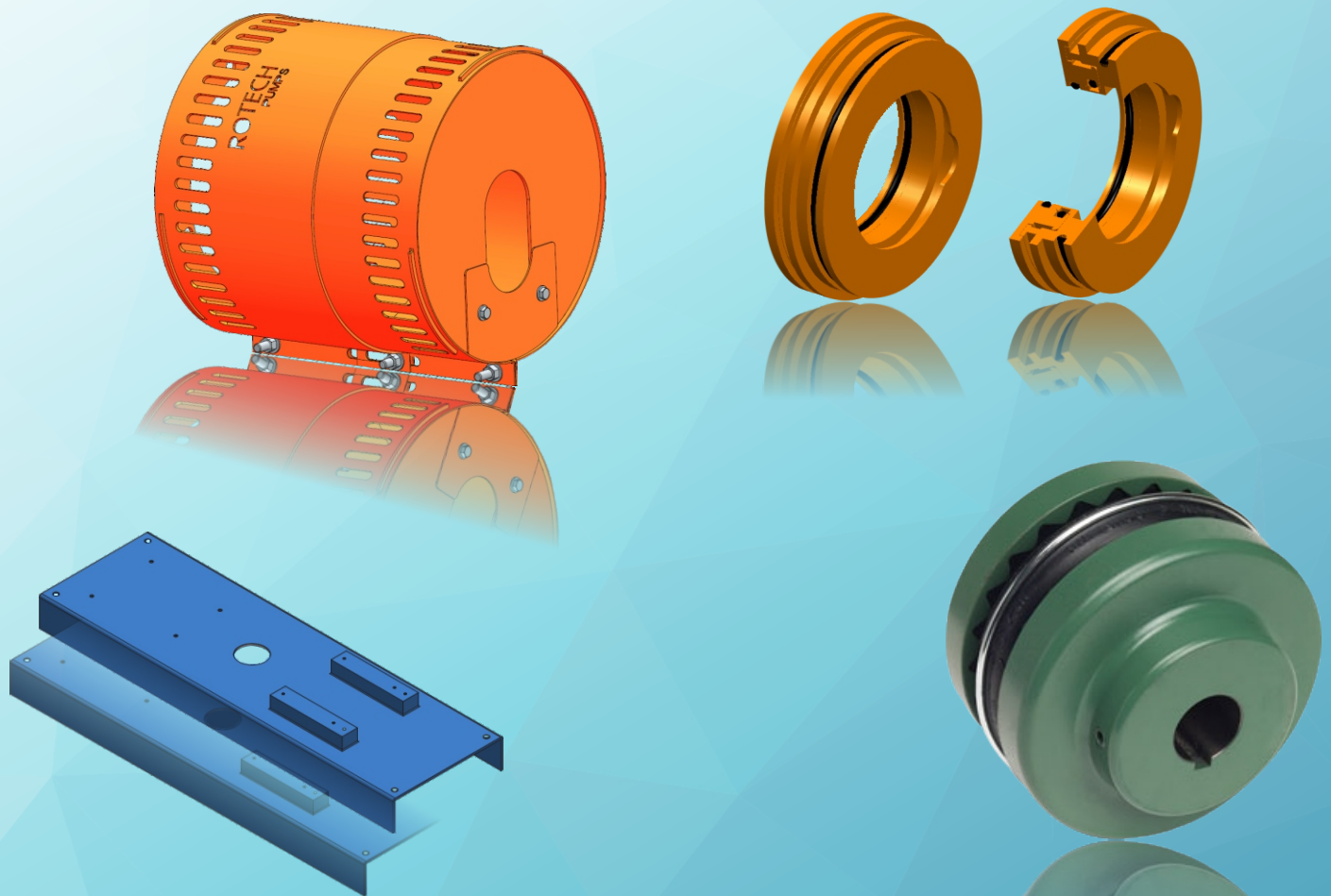


"A Trusted Partner in Pump Solutions"



**COUPLING,  
COUPLING GUARD,  
ISOLATED &  
BASE FRAME**

# Base Plate ASME B73.1

## Lifting Hook Holes

- These holes can be used for lifting & foundation at the time of installation

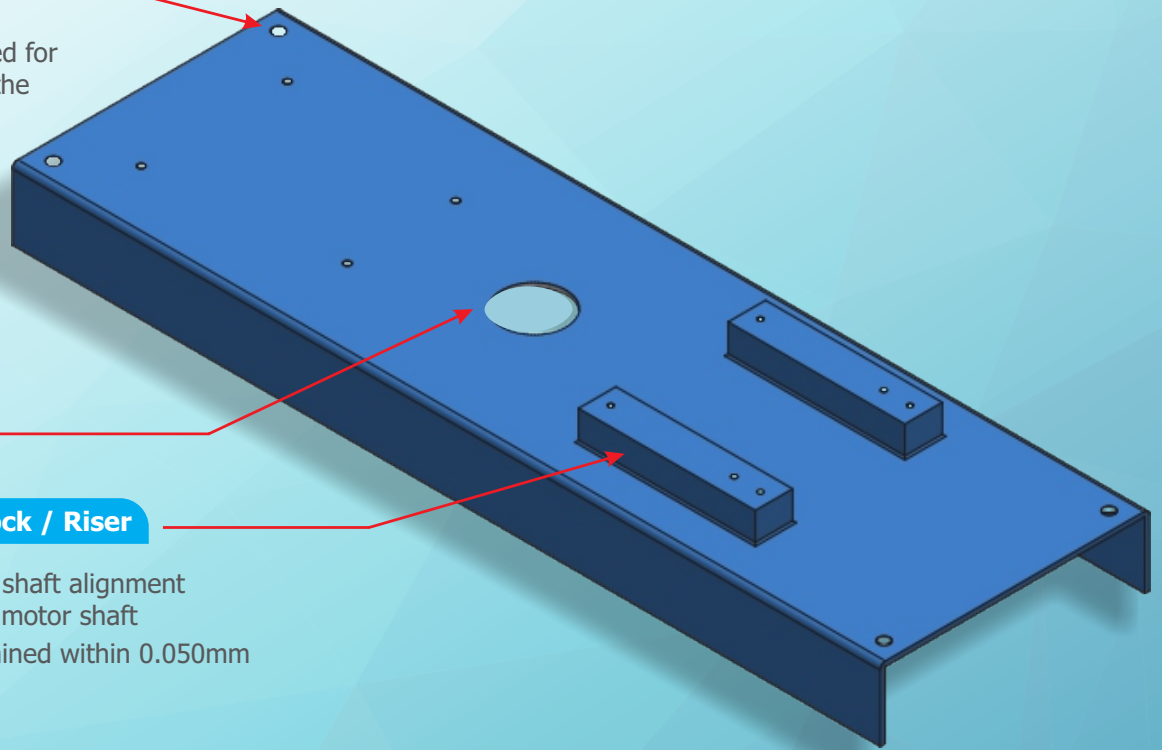
## Hole for Grouting

## Height Adjustment Block / Riser

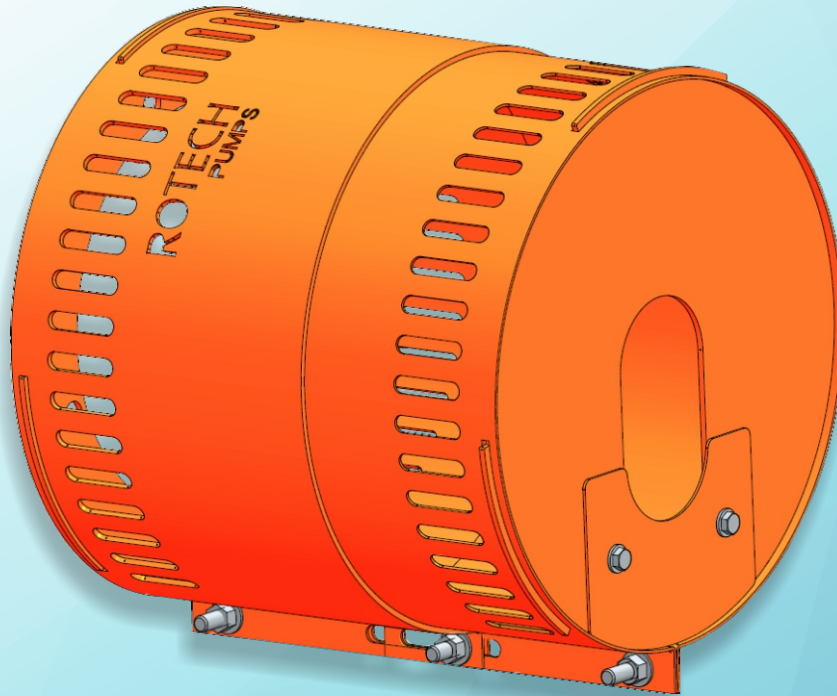
- Riser helps to maintain shaft alignment between pump shaft & motor shaft
- Risers are being maintained within 0.050mm

## Design Features

- These baseplates are designed for frame mounted / long-coupled ANSI/ASME pump combinations.
- Available in 12 models to accommodate all NEMA motor frames.
- Custom configurations to accept ISO pump and IEC motor combinations are also available.



# Coupling Guard Design Features



## Safety Comes First

Orange Peel guards comply with OSHA, ASME and ANSI standards, and most other guards don't. Look for a Safety Orange guard, gaps no greater than 0.250" (6 mm) and ANSI Z535.4 compliant warning labels.

## Maintenance Convenience Saves Time and Money

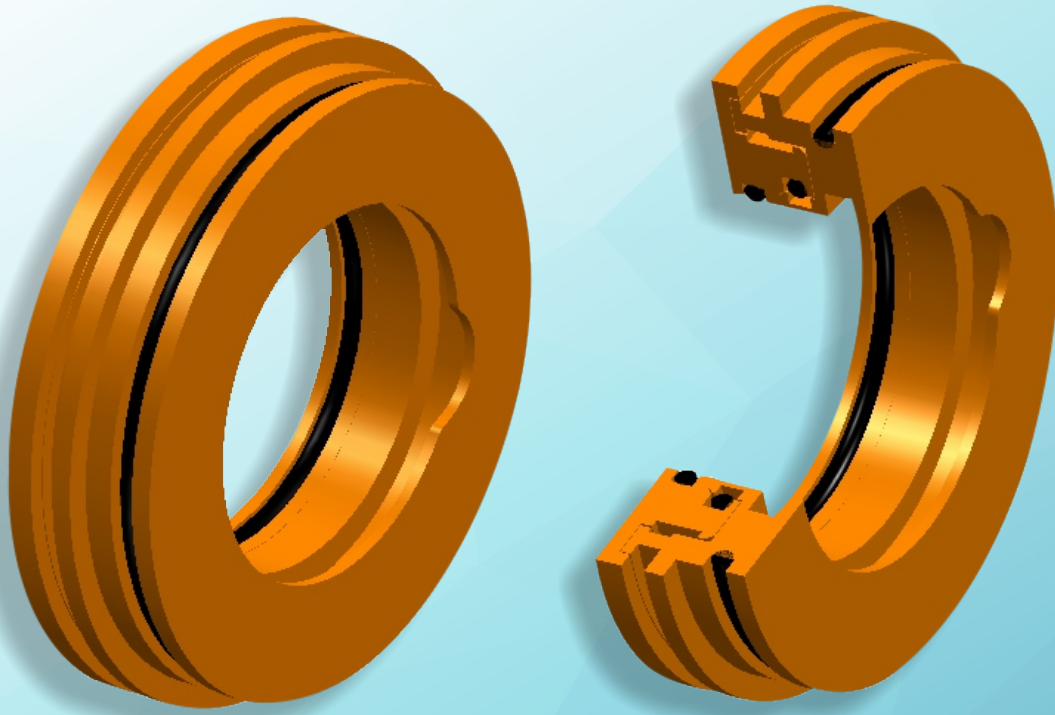
Orange Peel Guard's hinged guards open quickly by removing fasteners and "peeling" open the guard halves for coupling lubrication, inspection and maintenance.

## Lowest Lifetime Cost

A low initial cost, reduced maintenance costs, superior convenience and assured safety compliance make Orange Peel guards an unbeatable value. Coupling Guard Design Features



# MTR ISOLATOR IB



## Features and Benefits

- Patented labyrinth design provides bearing protection even in the most challenging environments, extending the life of rotating equipment.
- Unitized construction will not come apart during installation.
- Non-contacting design reduces shaft drag and energy consumption.
- Substantially reduced installation time - NO ARBOR PRESS NEEDED.

## Operating Capabilities

- TS 20 Pressure Limit : 20 bar
- TS 40 Pressure Limit : 40 bar
- Temperature: Up to 200vC

## MOC

- Bronze
- Ss316 / Ss304
- Mild Steel
- Polycarbonate

# MTR ISOLATOR IB



## Features and Benefits

- Up to 72,480 in.lbs.; 8.20 kNm
- Spacer, bushed hub, and clamping hub designs in stock
- Flexible design accommodates misalignment and protects equipment
- 7° to 21° torsional wind up
- Needs no lubrication, no maintenance

## Easy, Quick Installation

- Sure-Flex Plus can be installed quickly and easily, its simple design with no bolts, gaskets, covers or seals.
- Alignment can be checked on the precision-machined flanges using only a straightedge and calipers.
- No special tools are needed for installation, alignment or removal.

## Longer Life

- Sure-Flex Plus Lasts Over 3X Longer than the Competition
  - Extensive testing shows our sleeves outlast the imitators.
  - More uptime means less costly downtime.

## Better Value

- Save Money Using a Smaller Coupling
  - Over 50% of common applications can now use a smaller coupling, lowering the cost of both coupling purchase and sleeve replacement.

## Interchangeable

- Retrofits to Existing Flanges
  - No need to replace the full coupling – the Sure-Flex Plus
  - Sleeve design is 100% compatible with the current industry
  - Standard created by TB Wood's over 50 years ago.