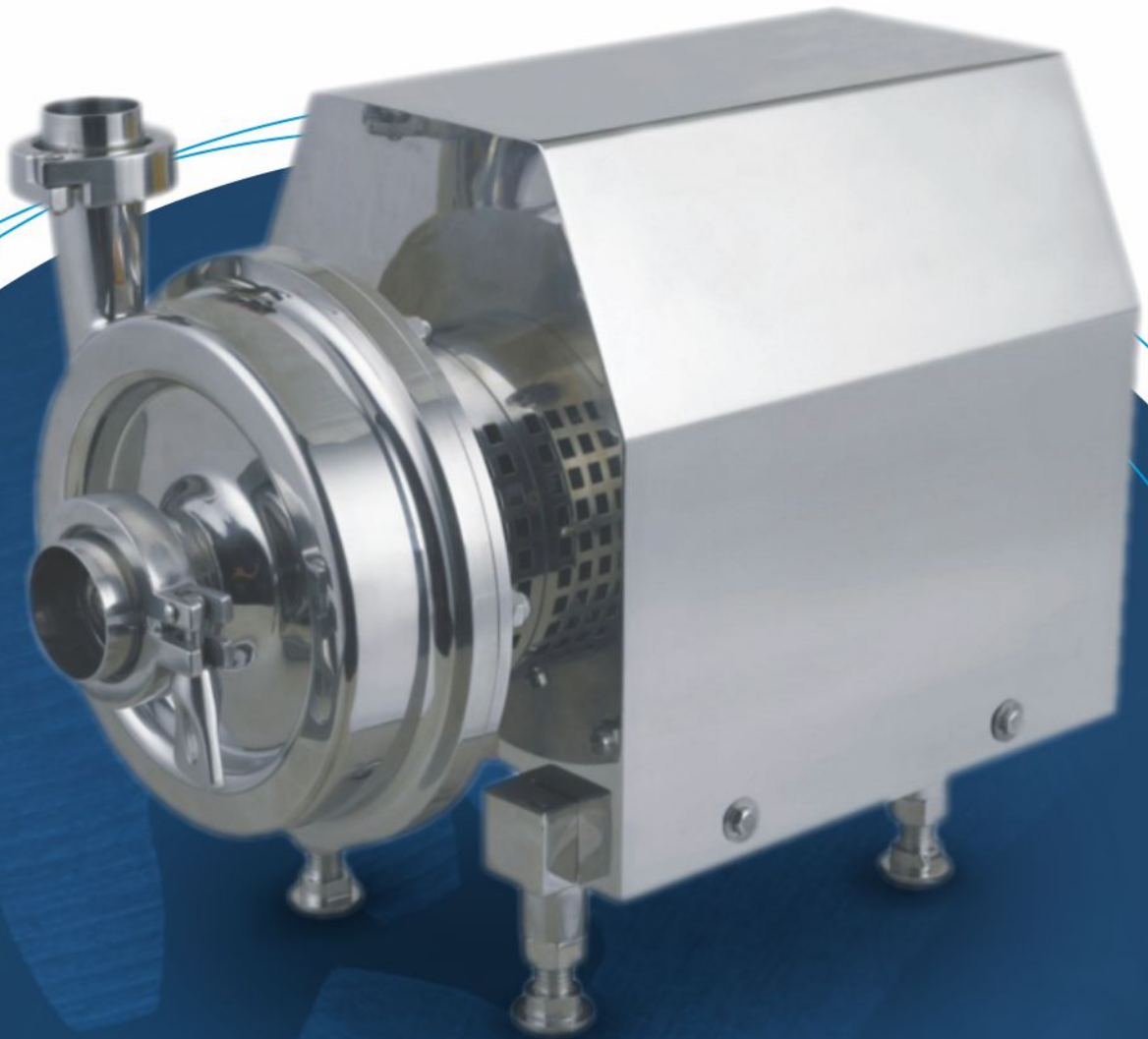




"A Trusted Partner in Pump Solutions"

SANITARY CENTRIFUGAL PUMPS

S100 SERIES



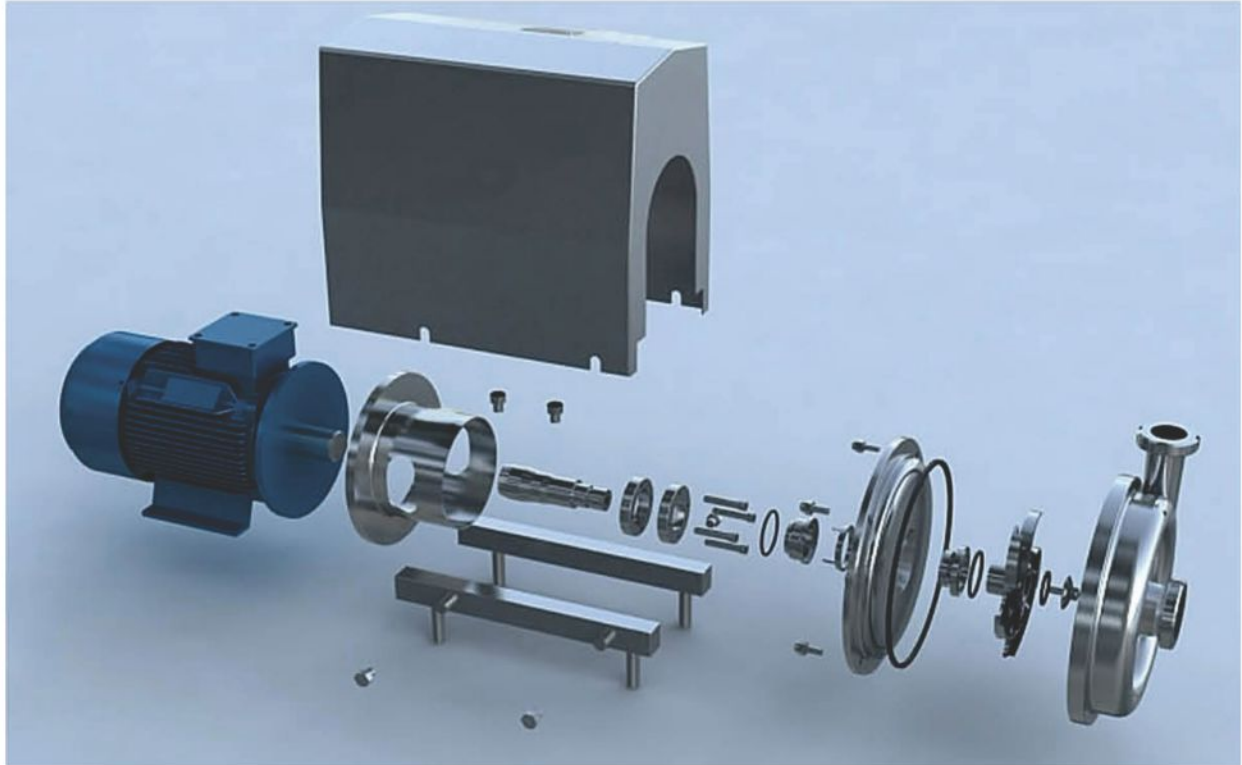
Specially for Dairy, Beverage, Beer, Pharmaceutical & Biological Products

- ▶ Design based on hygienic standard
- ▶ Adjustable Stainless Steel Leg
- ▶ Mechanical Seal refers to DIN2946 L1K
- ▶ Mechanical Seal : Single Mechanical Seal
 - Flushed single mechanical seal
 - Flushed double mechanical seal



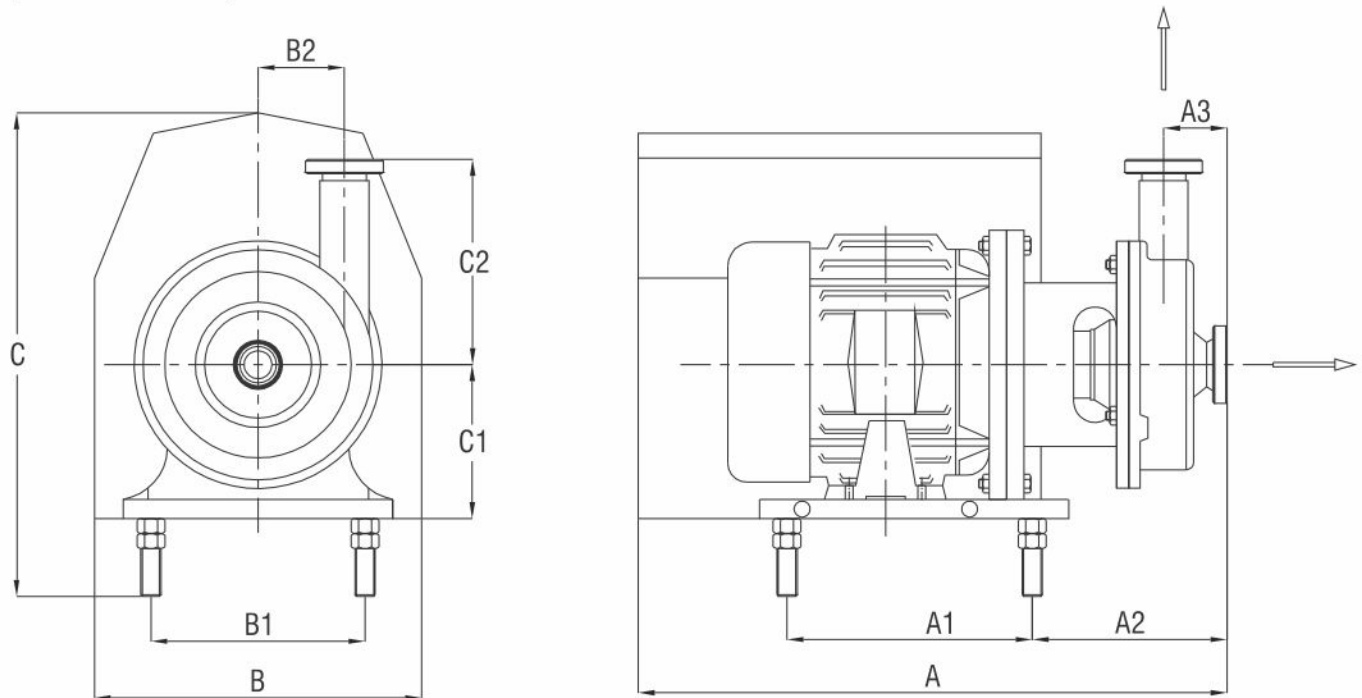
CONNECTION: CLAMP, THREAD, FLANGE, WELDING

- ▶ Motor Casing : Cold Rolled Stainless Steel Plate
- ▶ Investment Casting Impeller : AISI 304 / 316L
- ▶ Contact Part with material : AISI 304 / 316 / 316L
- ▶ Gasket : Viton, EPDM
- ▶ Mechanical Seal : SiC / SiC / EPDM
- ▶ Internal Surface : $Ra \leq 0.8 \mu m$
- ▶ External Surface : Mirror Polish
- ▶ Motor Power : 0.55 ~ 22Kw, 0.55 ~ 7.5Kw
- ▶ Impeller Type : Open, Enclosed
- ▶ Impeller Rotary Speed : 2900 rpm (50Hz)
3600 rpm (60Hz)
- ▶ Capacity : 1.5 ~ 120 m³/h
1.5 ~ 40 m³/h
- ▶ Head : 75 m (KS), 36 m
- ▶ Maximum Pressure : 7 Bars, 5 Bars
- ▶ Maximum Temperature : 120°C / 248°F
- ▶ Connection : Clamp, Thread, Flange, Welding
- ▶ Connection Standard : DIN, SMS, 3A, ISO, IDF, RJT
- ▶ NEMA & IEC B35 motor, 2 stage motor, IP55, Class Insulation, 50Hz / 60Hz
- ▶ Special type of motor like explosion-proof motor can be furnished as requested.



CENTRIFUGAL PUMP

(OPEN IMPELLER)



SELECTION TABLE

PUMP MODEL #	POWER	SIZE	SIZE	A	A1	A2	A3	B	B1	B2	C	C1	C2
S100-05	0.55kw 0.75 ~ 1.1kw	1.5"/DN40	1.5"/DN40	465	170	180	52	197	112	85	330	171	138
		1.5"/DN40	1.5"/DN40	465	203	180	52	210	125	85	370	195	138
S100-10	1.5 - 2.2kw	1.5"/DN40	1.5"/DN40	484	240	180	52	210	140	85	360	190	138
S100-15	1.5 ~ 2.2kw 3kw	2"/DN50	1.5"/DN40	658	240	180	52	210	140	117	360	190	158
		2"/DN50	1.5"/DN40	658	240	180	52	260	160	117	430	225	158
S100-20	2.2kw 3 ~ 4kw 5.5kw	2"/DN50	1.5"/DN40	658	240	218	52	210	140	117	360	190	158
		2"/DN50	2"/DN50	658	300	218	52	260	190	112	430	222	158
		2.5"/DN65	2"/DN50	658	330	238	52	310	216	112	460	242	158
S100-25	5.5 ~ 7.5kw 11kw	2.5"/DN65	2"/DN50	668	330	238	47	310	216	125	460	242	168
		2.5"/DN65	2"/DN50	825	330	265	67	375	254	127	635	350	212
S100-30	3 ~ 4kw 5.5 ~ 7.5kw 11kw	2"/DN50	1.5"/DN40	668	300	218	47	260	190	125	430	222	168
		2.5"/DN65	2"/DN50	668	330	235	47	310	216	125	460	242	168
		2.5"/DN65	2.5"/DN65	825	450	265	67	375	254	152	635	350	222
S100-35	7.5kw 11 ~ 15kw	2.5"/DN65	1.5"/DN40	668	330	238	67	310	216	127	460	242	212
		2.5"/DN65	2"/DN50	825	450	265	67	375	254	127	635	350	212
S100-40	15 ~ 18.5kw 22kw	3"/DN80	2.5"/DN65	870	450	265	67	375	254	152	635	350	222
		3"/DN80	2.5"/DN65	895	515	265	67	400	279	152	685	370	222

All Dimensions in mm only.



"A Trusted Partner in Pump Solutions"

1320 Britannia Road East
Mississauga, Ontario, Canada. L4W 1C8

Phone: (905) 461-9617 | Fax: (905) 461-9618
Toll Free: 1-866-217-PUMP (7867)
Email: sales@rotechpumps.com | www.rotechpumps.com