

"A Trusted Partner in Pump Solutions"



**SCP/SFP** SELF PRIMING PUMPS

# CONTENT

<b>1. INTRODUCTION OF PUMP</b>	<b>01-02</b>
<b>2. SCP 150/SFP 150 - 1.5" X 1.5" SELF PRIMING CENTRIFUGAL PUMP</b>	<b>03-04</b>
DIMENSIONAL DRAWINGS	03
PERFORMANCE CURVES	04
<b>3. SCP 200/SFP 200 - 2" X 2" SELF PRIMING CENTRIFUGAL PUMP</b>	<b>05-07</b>
DIMENSIONAL DRAWINGS OF SCP 200	05
DIMENSIONAL DRAWINGS OF SFP 200	06
PERFORMANCE CURVES	07
<b>4. SCP 200/SFP 200 - 2" X 2" SELF PRIMING CENTRIFUGAL PUMP</b>	<b>08-10</b>
DIMENSIONAL DRAWINGS OF SCP 300	08
DIMENSIONAL DRAWINGS OF SFP 300	09
PERFORMANCE CURVES	10
<b>5. EXPLODED VIEW</b>	<b>11-12</b>
ROTECH SCP PUMP	11
ROTECH SFP PUMP	12

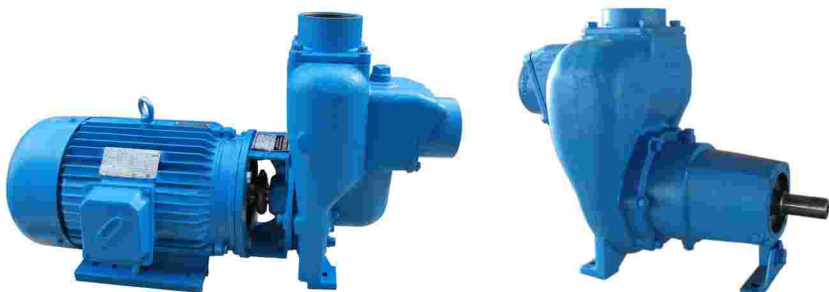
# INTRODUCTION OF PUMP

Rotech SCP series Pumps close coupled self-priming centrifugal pumps can be mounted with NEMA C face electric motor frames (56TC, 143TC, 145TC etc.) , IEC electric motors and Hydraulic Motors while Rotech RFP series Pumps are self-priming centrifugal frame mounted or Base mounted Pumps directly couple with coupling or V belt pulley drive with motor or engine.

SCP/SFP series are capable to lift liquid up to 25 ft from the liquid level below ground. However, for the best performance of pump, the pump should be installed less than 15 above the liquid level. The flapervelave will maintain a full column liquid in suction pipe line.

Standard features include stainless steel drive sleeve, stainless steel fasteners, renewable wear plate, and a semi-open dynamically balanced impeller. Option Include double grease-lubricated seals, stainless steel impeller and seals for all types of abrasive and / or corrosive services.

The ROTECH series of pumps are commonly used in water, waste water, Industrial, transfer pump application, wash down, OEM, Agricultural, Fertilizer and Pesticide Pumps, Applicators & Sprayers, Bulk Transfer Pumps and much more.



## SPECIFICATIONS:

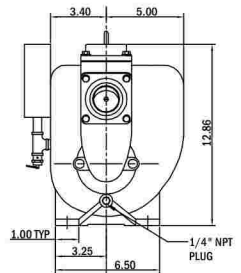
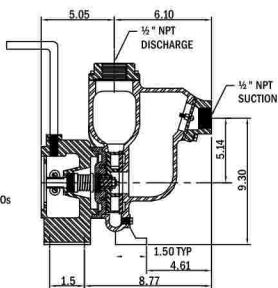
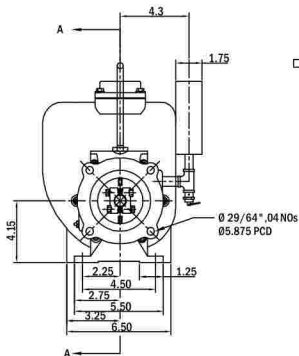
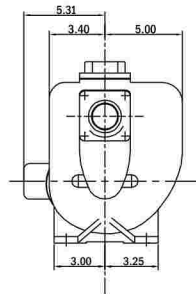
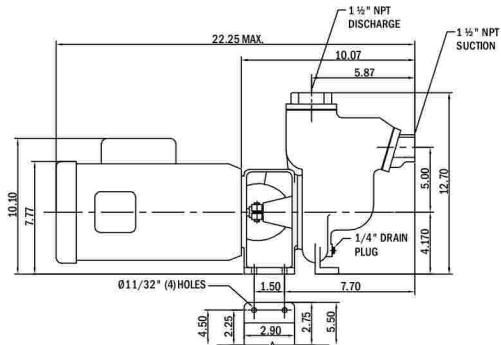
MODEL	SCP150/SFP 150	SCP200/SFP 200	SCP300/SFP 300
Suction and Discharge	1-1/2" x 1-1/2" NPT	2" x 2" NPT	3" x 3" NPT
Materials of Construction	Cast Iron Bronze Aluminum Stainless Steel	Cast Iron Bronze Aluminum Stainless Steel	Cast Iron Bronze Aluminum Stainless Steel
Flow	Up to 145 GPM	Up to 150 GPM	Up to 320 GPM
Head Feet (TDH)	Up to 100'	Up to 100'	Up to 145'
Impeller	5.0" max diameter, semi-open	5.0" max diameter, semi open	6.0" max diameter, semi-open
Max Solid Size	1/2"	1/2"	0.6"
Motor	Up to 3 HP	Up to 3 HP	Up to 7.5 HP
Drive Options	Close Coupled 145TC Close Coupled 56C Engine Mount 5.5 HP  Engine Mount 6.5 HP Pedestal Standard Carbon / Ceramic / Viton	Close Coupled 145TC Close Coupled 56C Engine Mount 5.5 HP  Engine Mount 6.5 HP Pedestal Standard Carbon / Ceramic / Viton	Close Coupled 184TC Close Coupled 215C Engine Mount 5.5 HP, 6.5 HP, 11 HP & 13 HP Pedestal Standard Carbon / Ceramic / Viton
Seal	Special Seal material combinations available (consult factory)	Special Seal material combinations available (consult factory)	Special Seal material combinations available (consult factory)

	SCP/SFP 150	SCP/SFP 200	SCP/SFP 300
<b>APPLICATION</b>	Water and Water Waste Industrial OEM Industrial Transfer	Water and Water Waste Industrial OEM Industrial Transfer	Water and Water Waste Industrial OEM Industrial Transfer
<b>SPECIAL FEATURES</b>	Stainless Renewable Wear Plate Stainless Steel Drive Sleeve Stainless Steel Fasteners Up to 25' suction lift Various Drive Options	Stainless Renewable Wear Plate Stainless Steel Drive Sleeve Stainless Steel Fasteners Up to 25' suction lift Various Drive Options	Stainless Renewable Wear Plate Stainless Steel Drive Sleeve Stainless Steel Fasteners Up to 25' suction lift Various Drive Options
<b>OPTIONS</b>	Various drive options available in various MOC Base Plate Option Hydraulic Motor available Stainless Steel Impeller, Bronze, Duplex Stainless Steel	Various drive options available in various MOC Base Plate Option Hydraulic Motor available Stainless Steel Impeller, Bronze, Duplex Stainless Steel	5 Blade Impeller available for higher flows Base Plate Option Double Seal available for dry run applications Hydraulic Motor available

# SCP 150/SFP 150

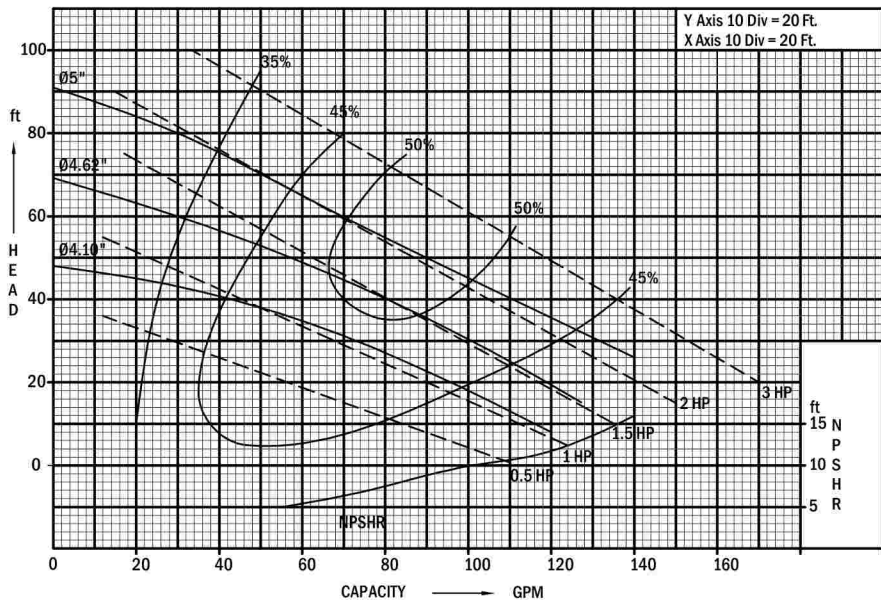
1.5" x 1.5" Self Priming Centrifugal Pump

## DIMENSIONAL DRAWINGS



# PERFORMANCE CURVES

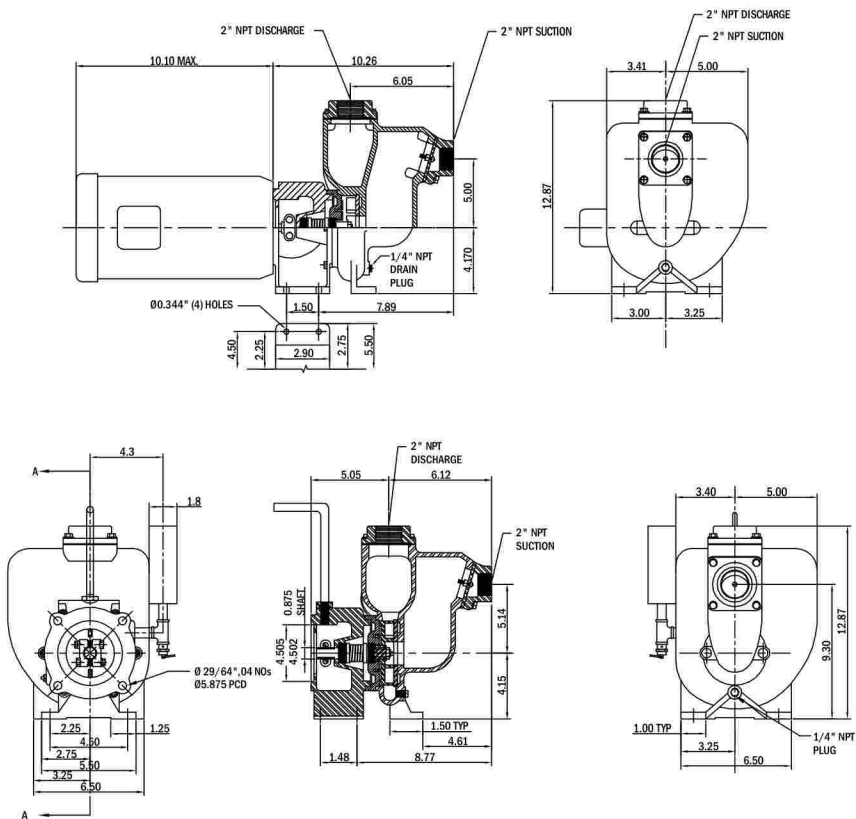
MODEL - SCP, Size - 1.5" x 1.5", RPM - 3450



# SCP 200

2" x 2" Self Priming Centrifugal Pump

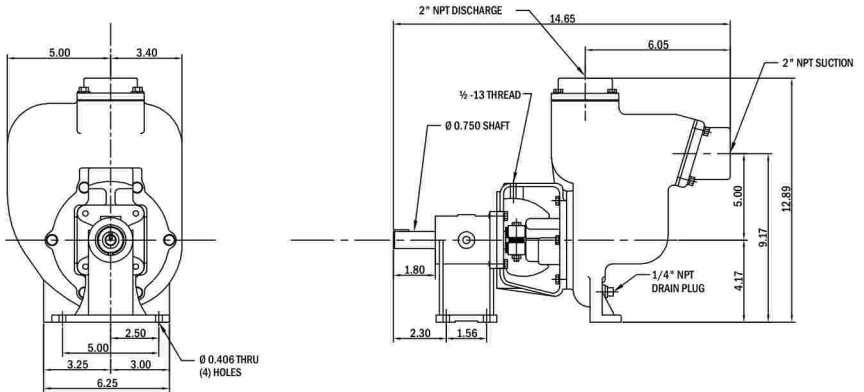
## DIMENSIONAL DRAWINGS



# SFP 200

2" x 2" Self Priming Centrifugal Pump

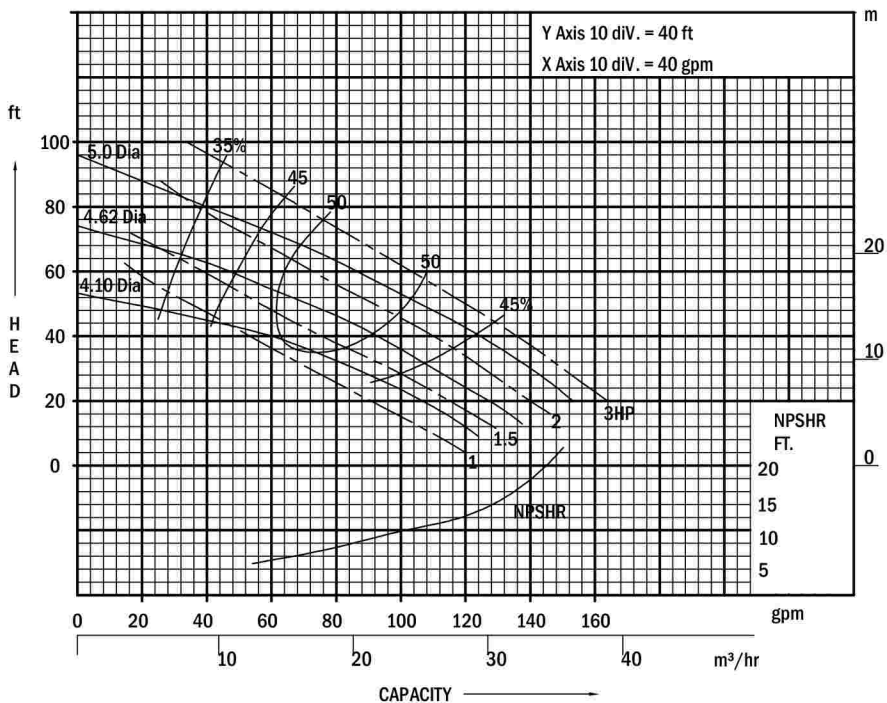
## DIMENSIONAL DRAWINGS





# PERFORMANCE CURVES

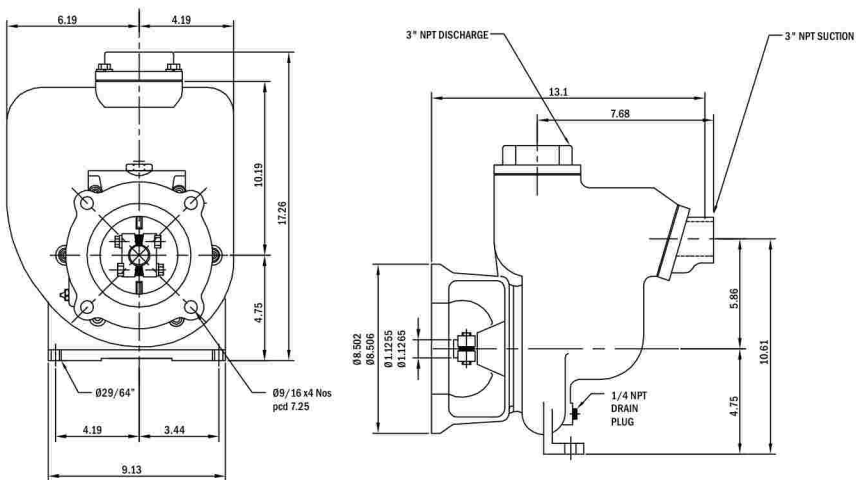
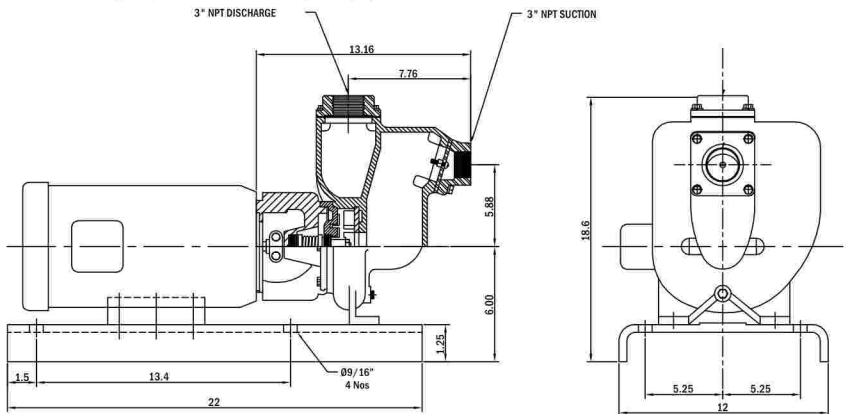
MODEL - SCP, Size - 2" x 2", RPM - 3450



# SCP 300

3" x 3" Self Priming Centrifugal Pump

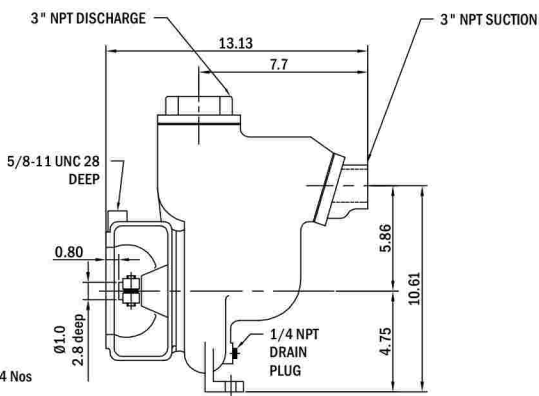
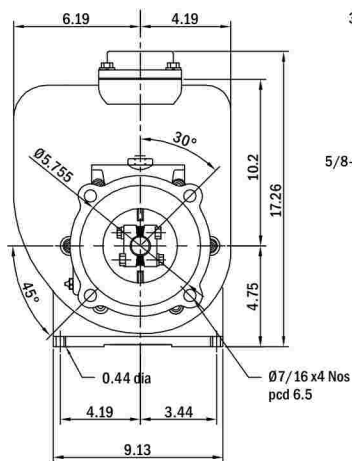
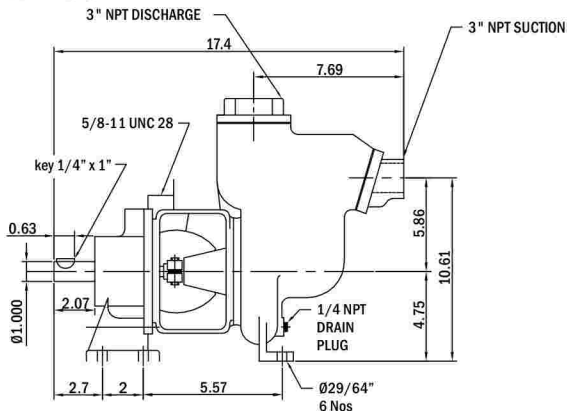
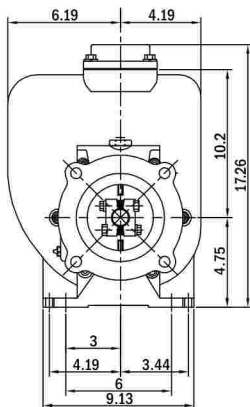
## DIMENSIONAL DRAWINGS



# SFP 300

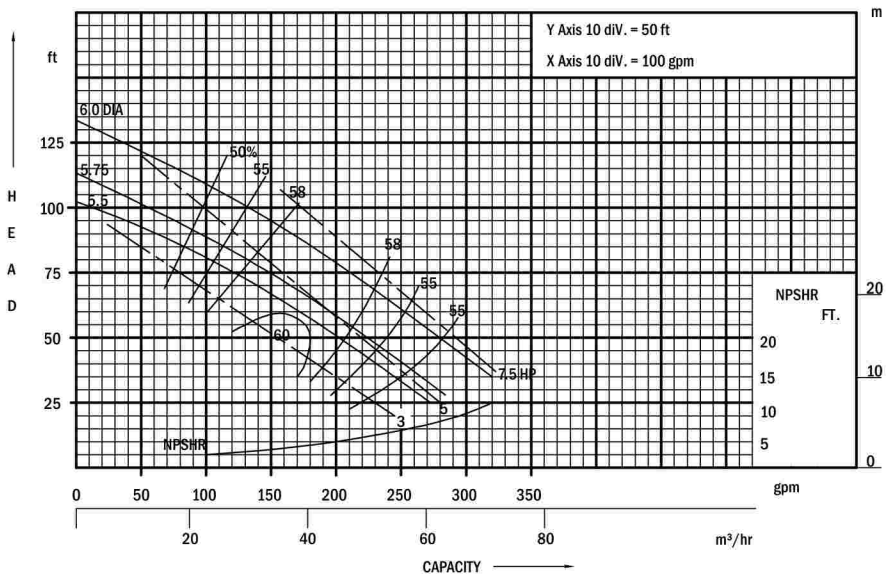
3" x 3" Self Priming Centrifugal Pump

## DIMENSIONAL DRAWINGS

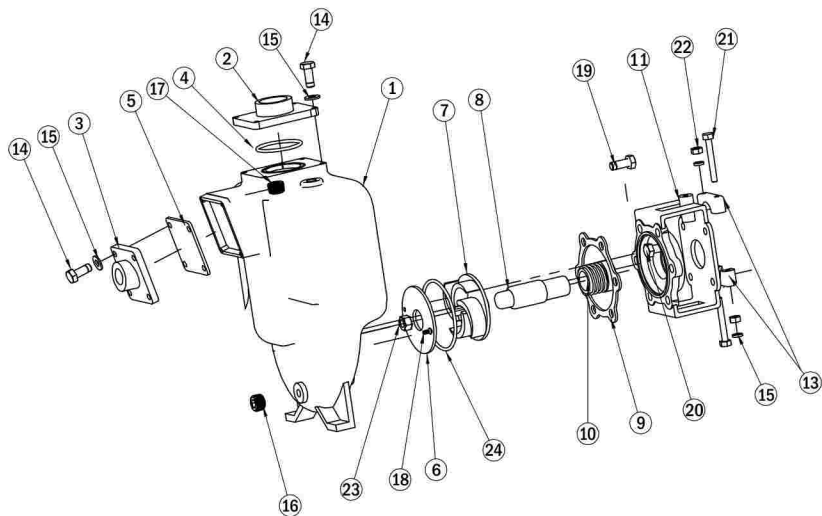


# PERFORMANCE CURVES

MODEL - SCP, Size - 3" x 3", RPM - 3450



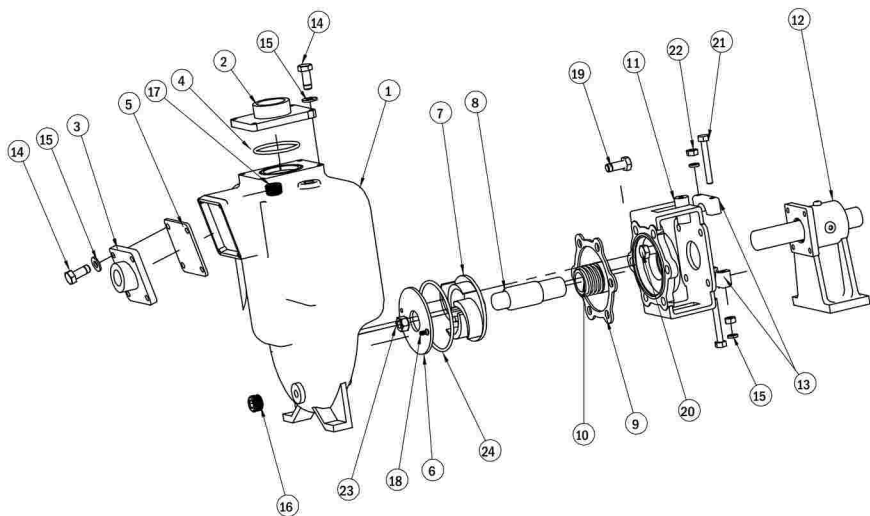
# EXPLODED VIEW - SCP PUMP



ITEM NO.	DESCRIPTION	QTY
1	CASING	1
2	DISCHARGE FLANGE	1
3	SUCTION FLANGE	1
4	O-RING VITON	1
5	FLAPPER ASSY.	1
6	WEAR PLATE	1
7	IMPELLER	1
8	SLEEVE	1
9	GASKET	1
10	SEAL ASSY.	1
11	ADAPTOR	1
12	NOT APPLICABLE	-

ITEM NO.	DESCRIPTION	QTY
13	CLAMP	2
14	CAP SCREW - 5/16" - 18 x 7/8"	8
15	LOCKWASHER 5/16	14
16	PIPE PLUG	1
17	FILL PLUG	1
18	FLAT HEAD SCREW	2
19	CAPSCREW - 5/16" - 18 x 3/4"	6
20	CAPSCREW - 5/16" - 24 x 0.88	4
21	CAPSCREW - 5/16" - 18 x 1 3/4"	2
22	HEX NUT - 5/16" - 18 x 1 3/4"	2
23	JAM NUT	1
24	O-RING VITON	1

# EXPLODED VIEW - SFP PUMP



ITEM NO.	DESCRIPTION	QTY
1	CASING	1
2	DISCHARGE FLANGE	1
3	SUCTION FLANGE	1
4	O-RING VITON	1
5	FLAPPER ASSY.	1
6	WEAR PLATE	1
7	IMPELLER	1
8	SLEEVE	1
9	GASKET	1
10	SEAL ASSY.	1
11	ADAPTOR	1
12	PEDESTAL ASSY.	1

ITEM NO.	DESCRIPTION	QTY
13	CLAMP	2
14	CAP SCREW - 5/16" - 18 x 7/8"	8
15	LOCKWASHER 5/16	14
16	PIPE PLUG	1
17	FILL PLUG	1
18	FLAT HEAD SCREW	2
19	CAPSCREW - 5/16" - 18 x 3/4"	6
20	CAPSCREW - 5/16" - 24 x 0.88	4
21	CAPSCREW - 5/16" - 18 x 1 3/4"	2
22	HEX NUT - 5/16" - 18 x 1 3/4"	2
23	JAM NUT	1
24	O-RING VITON	1



"A Trusted Partner in Pump Solutions"

1320 Britannia Road East, Mississauga, Ontario, Canada. L4W 1C8  
Phone: (905) 461-9617 | Fax: (905) 461-9618 | Toll Free: 1-866-217-PUMP (7867)  
Email: [sales@rotechpumps.com](mailto:sales@rotechpumps.com) | [www.rotechpumps.com](http://www.rotechpumps.com)