

ANSI 1296 LF

LOW FLOW CHEMICAL PROCESS
CLOSE COUPLED PUMPS

ROTECH

QUALITY | COMMITMENT | ADAPTABILITY

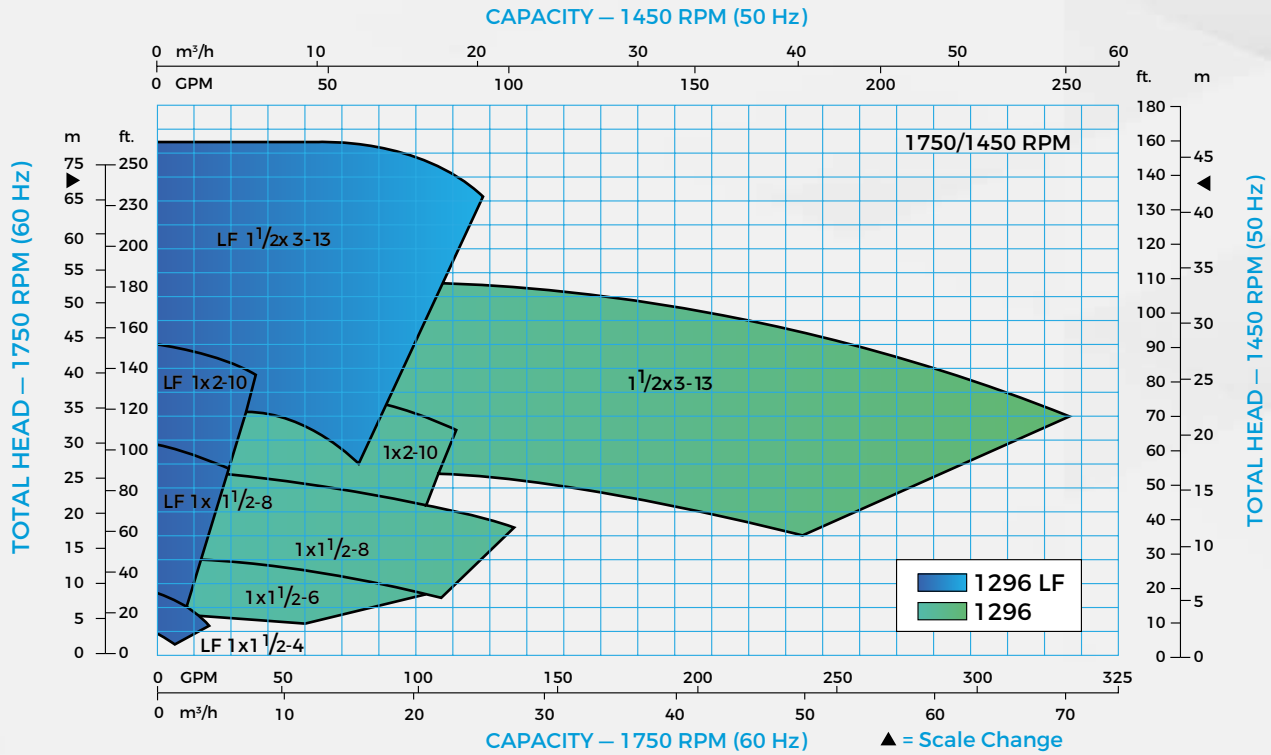


HIGH ON **PERFORMANCE**
GREAT ON **RELIABILITY**

HYDRAULIC PERFORMANCE COVERAGE

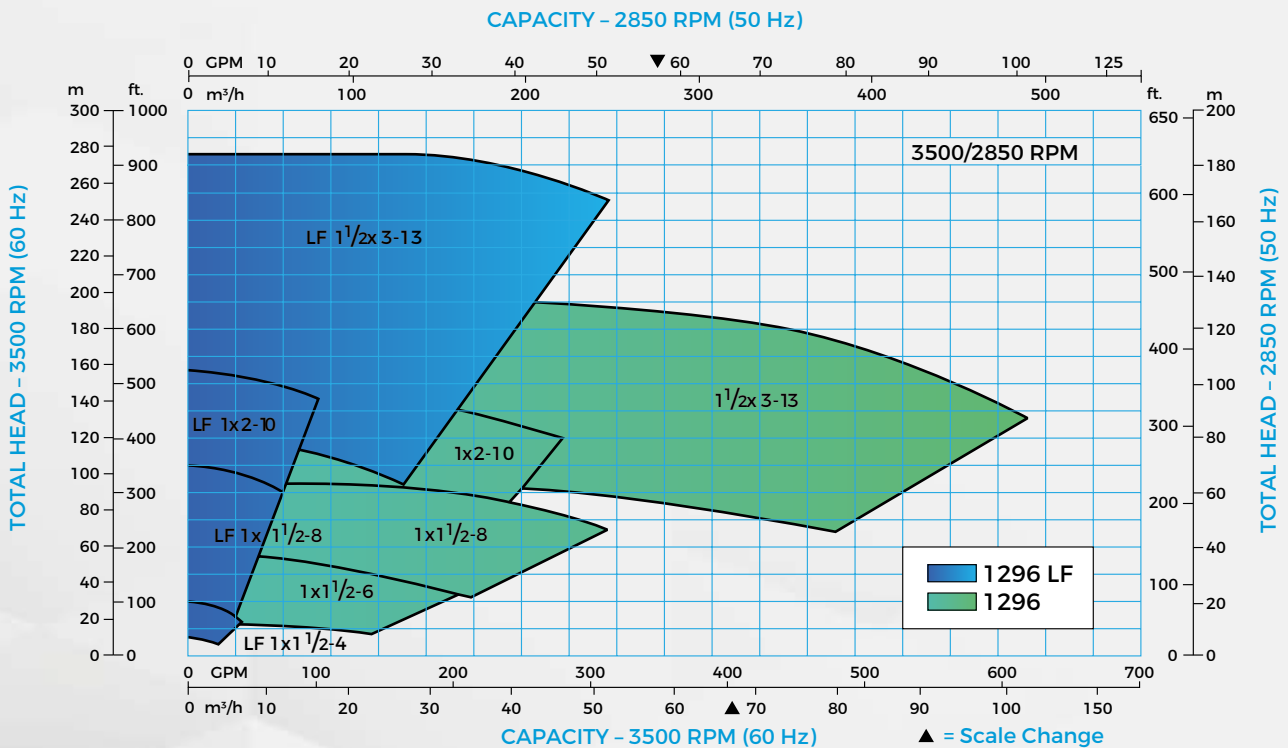
4 Pole Motor

Capacity up to 310 GPM (70 m³/h) | Head up to 225 feet (68 m) | Temperature to 700° F (371° C) Pressure up to 450 PSIG (3102 kPa)

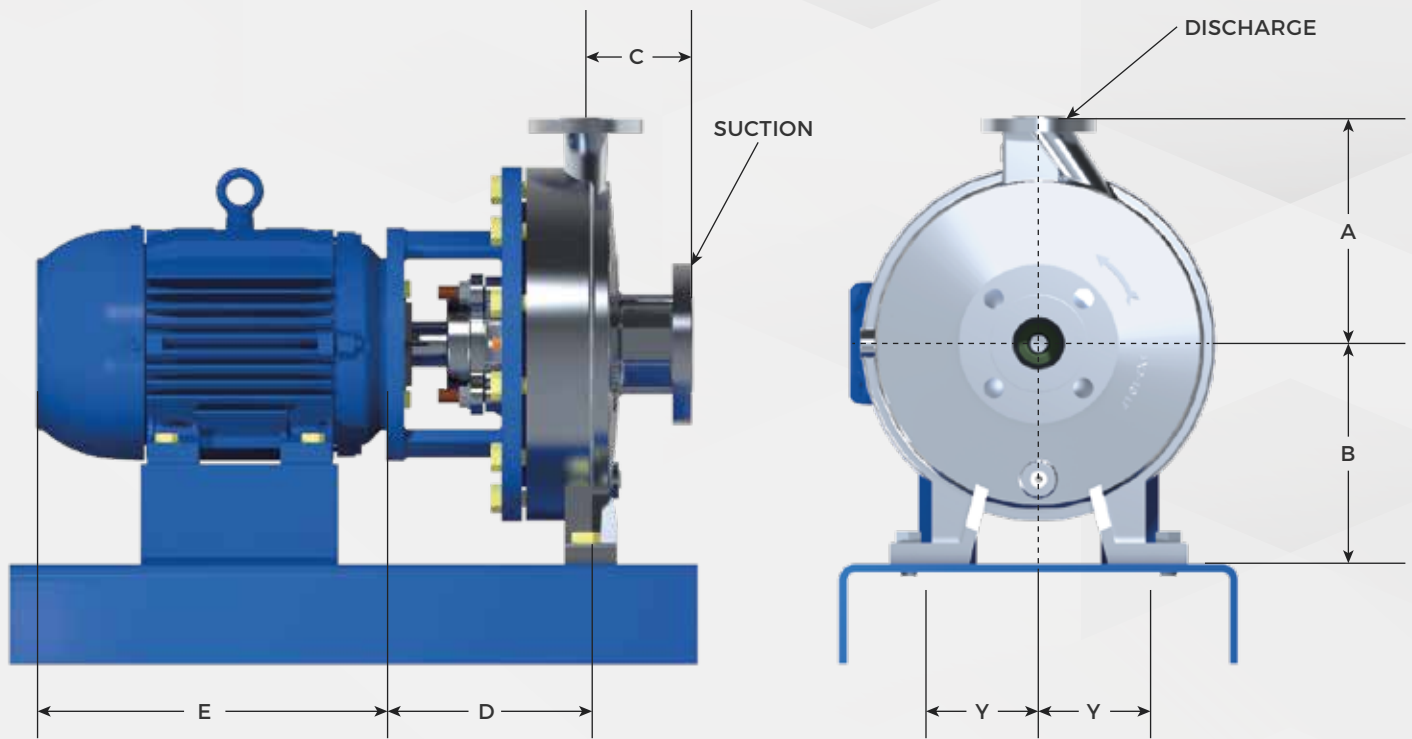


2 Pole Motor

Capacity up to 580 GPM (132 m³/h) | Head up to 925 feet (282 m) | Temperature to 700° F (371° C) Pressure up to 450 PSIG (3102 kPa)

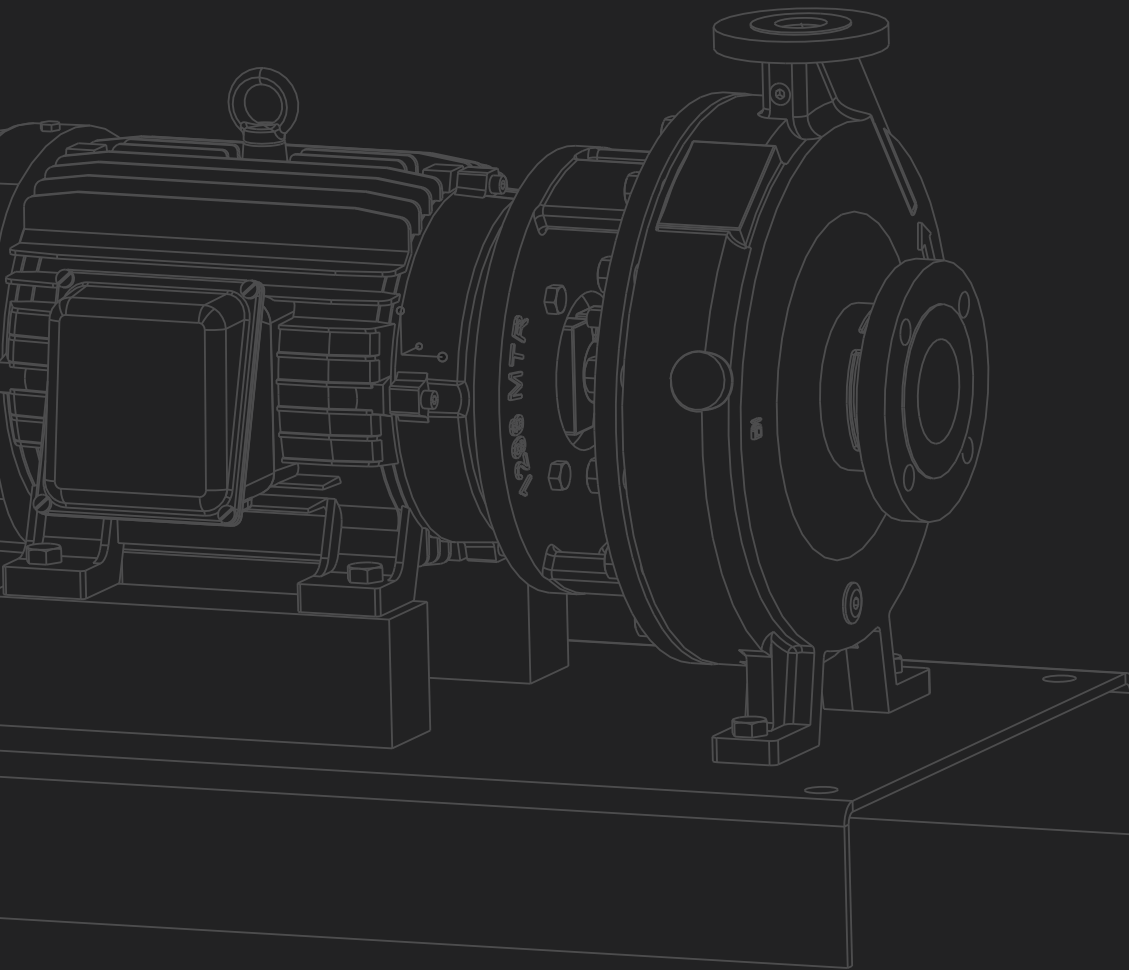


DIMENSIONAL DATA



SR. NO.	PUMP SIZE	PUMP DIMENSIONS				NEMA MOTOR FRAME SIZES					
		A	B	C	Y	143-184		213-256		284-326	
						D	E	D	E	D	E
1	1x1.5-4	6.5(165)	5.25(133)	4(102)	3(76)	5.45(138)	14(356)	5.45(138)	22.28(566)		
2	1x1.5-8	6.5(165)	5.25(133)	4(102)	3(76)	5.45(138)	14(356)	5.45(138)	22.28(566)		
3	1x2-10	8.5(216)	8.25(210)	4(102)	3(76)	7.46(189)	14(356)	7.46(189)	22.28(566)	7.64(194)	27.6(701)
4	1.5x3-13	10.5(267)	10(245)	4(102)	4.875(124)			7.55(191)	22.28(566)	7.55(191)	27.6(701)

*Weight and dimensions are approximate and not to be used for construction unless Certified By Manufacturer.



KreativeLion

ROTECH

QUALITY | COMMITMENT | ADAPTABILITY

CANADA

Headquarters

1180 Britannia Road East,
Mississauga, Ontario, L4W 1C8

☎ 1 - 866 - 217 - 7867

✉ sales@rotechpumps.com



USA

Headquarters

16640, W Basin St,
Odessa, Texas 79763

☎ 432 - 556 - 8652

✉ usasales@rotechpumps.com

www.rotechpumps.com