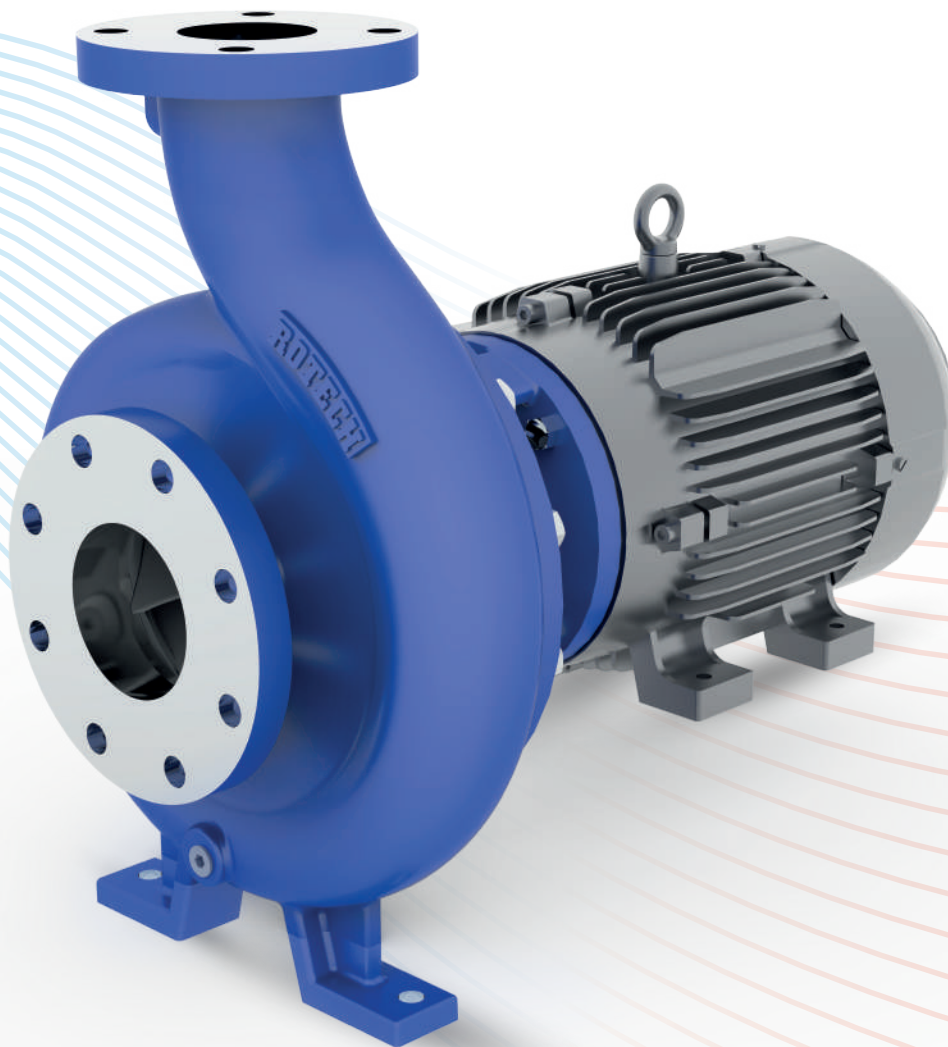


ANSI 1296 SERIES

CLOSE COUPLED PUMPS

ROTECH

QUALITY | COMMITMENT | ADAPTABILITY

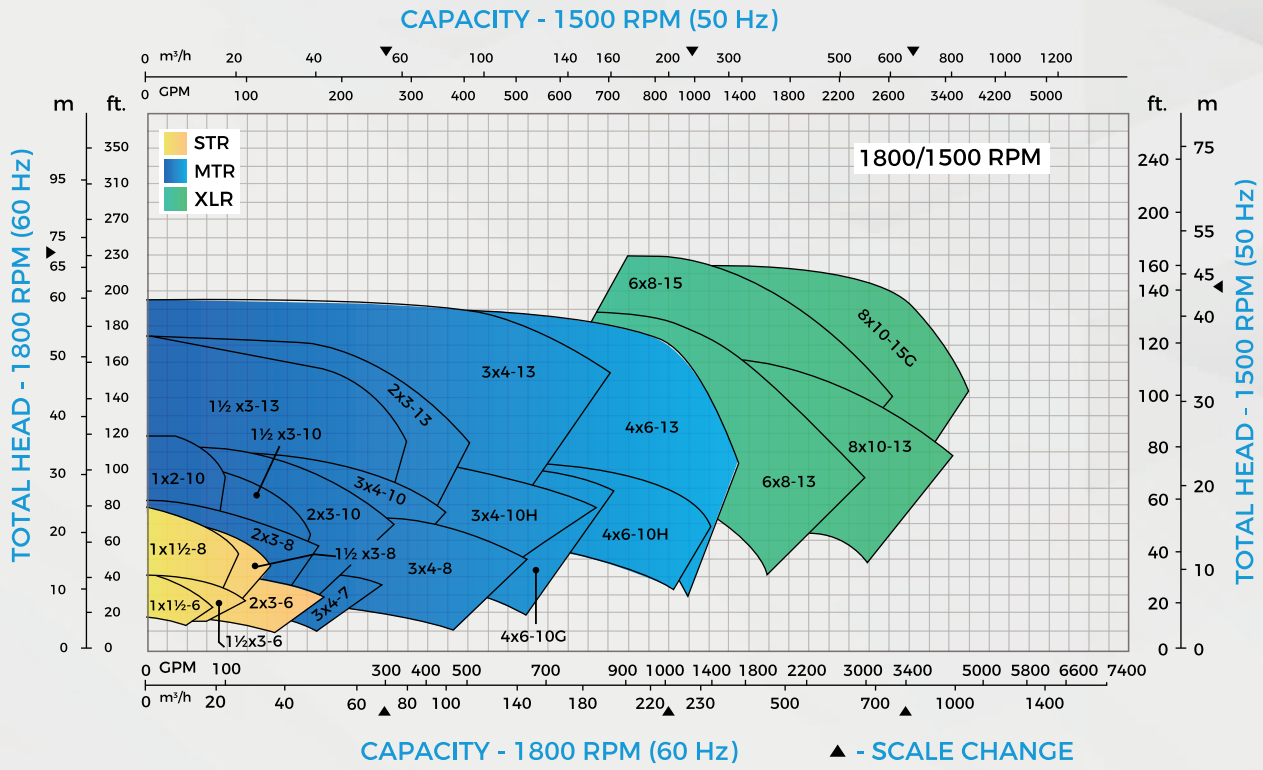


HIGH ON **PERFORMANCE**
GREAT ON **RELIABILITY**

HYDRAULIC PERFORMANCE COVERAGE

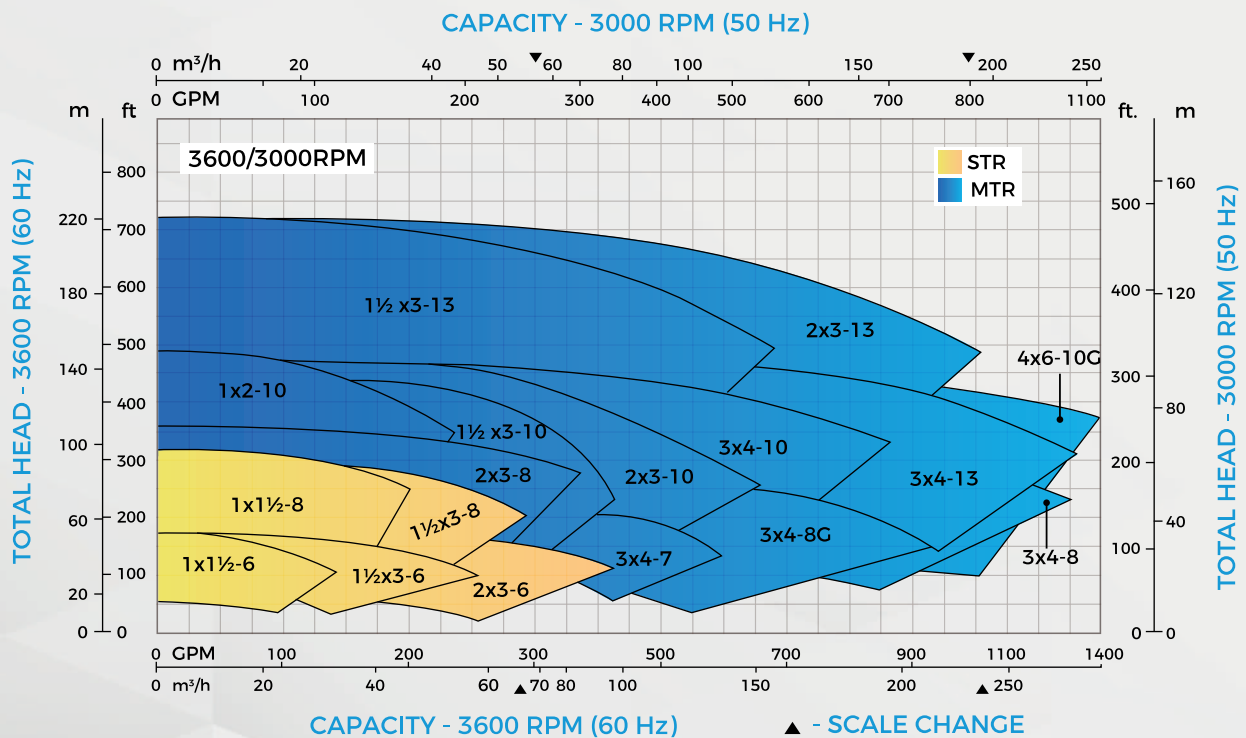
4 Pole Motor

Capacity up to 4400 GPM (1000 m³/h) | Head up to 230 feet (70 m) | Temperature to 248°F (120°C) Pressure to 375 PSIG (2586 kPa)

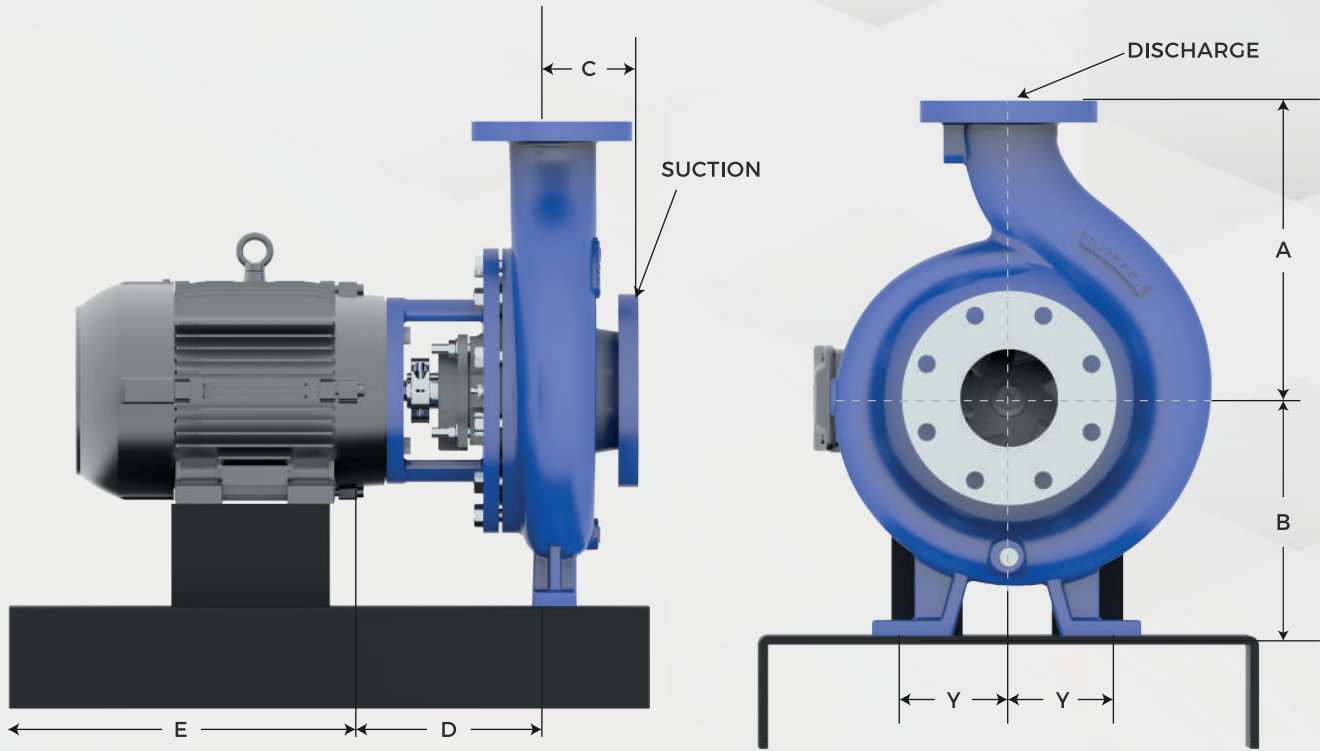


2 Pole Motor

Capacity up to 1400 GPM (318 m³/h) | Head up to 730 feet (223 m) | Temperature to 248°F (120°C) Pressure to 375 PSIG (2586 kPa)

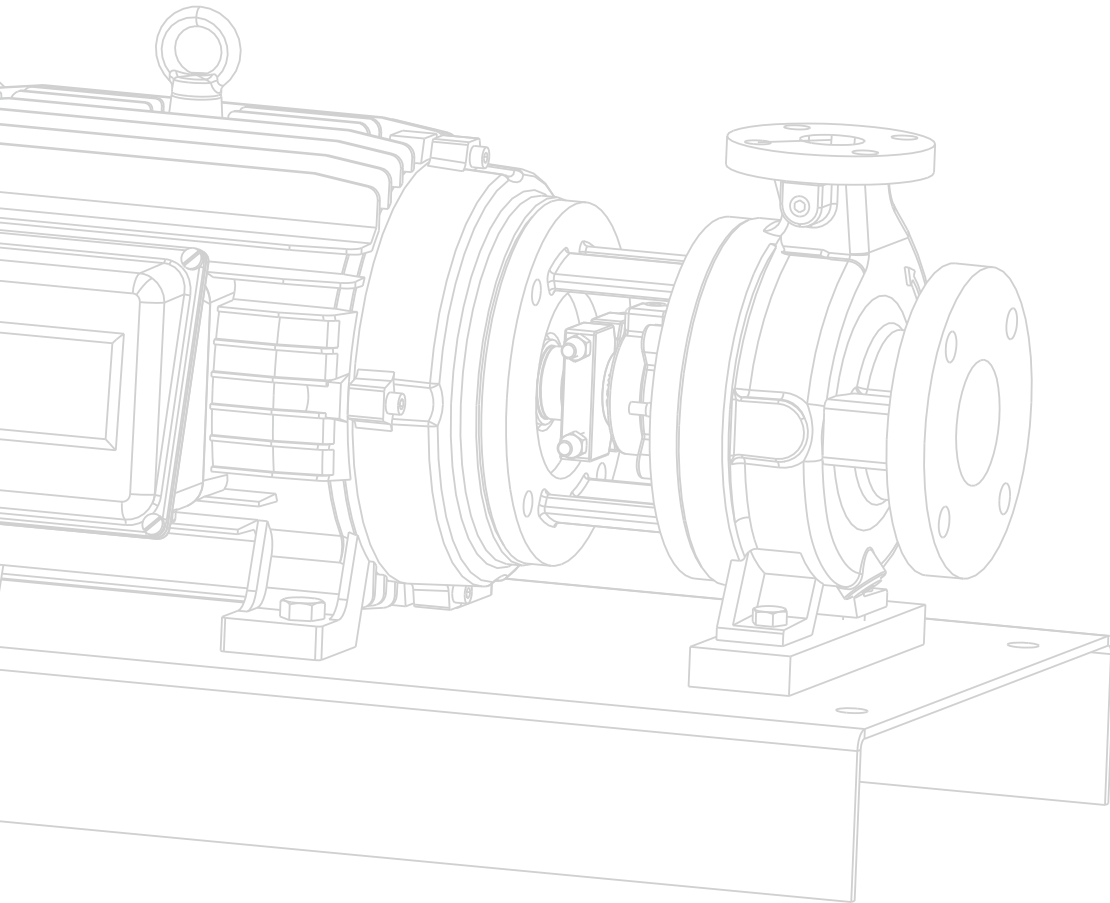


DIMENSIONAL DATA



SR. NO.	PUMP SIZE	PUMP DIMENSIONS				NEMA MOTOR FRAME SIZES					
		A	B	C	Y	143-184		213-256		284-326	
						D	E	D	E	D	E
1	1x1.5-6	6.5(165)	5.25(133)	4(102)	3(76)	6(152)	14(356)	6(152)	22.28(566)		
2	1.5x3-6	6.5(165)	5.25(133)	4(102)	3(76)	6(152)	14(356)	6(152)	22.28(566)		
3	2x3-6	6.5(165)	5.25(133)	4(102)	3(76)	6(152)	14(356)	6(152)	22.28(566)		
4	1x1.5-8	6.5(165)	5.25(133)	4(102)	3(76)	6(152.5)	14(356)	6(152)	22.28(566)		
5	1.5x3-8	6.5(165)	5.25(133)	4(102)	3(76)	6(152.5)	14(356)	6(152)	22.28(566)		
6	3x4-8	11(280)	8.25(210)	4(102)	4.875(124)	7.63(194)	14(356)	7.65(194)	22.28(566)	7.64(194)	27.6(701)
7	2x3-8	9.5(242)	8.25(210)	4(102)	4.875(124)	7.59(193)	14(356)	7.59(193)	22.28(566)	7.60(193)	27.6(701)
8	3x4-8G	11(280)	8.25(210)	4(102)	4.875(124)	7.68(195)	14(356)	7.69(195)	22.28(566)	7.89(195)	27.6(701)
9	1x2-10	8.5(216)	8.25(210)	4(102)	4.875(124)	7.53(191)	14(356)	7.53(192)	22.28(566)	7.54(192)	27.6(701)
10	1.5x3-10	8.5(216)	8.25(210)	4(102)	4.875(124)	7.54(192)	14(356)	7.54(192)	22.28(566)	7.54(192)	27.6(701)
11	2x3-10	9.5(242)	8.25(210)	4(102)	4.875(124)	7.53(191)	14(356)	7.54(192)	22.28(566)	7.54(191)	27.6(701)
12	3x4-10	11(280)	8.25(210)	4(102)	4.875(124)	7.53(191)	14(356)	7.54(192)	22.28(566)	7.54(191)	27.6(701)
13	3x4-10H	12.5(318)	10(245)	4(102)	4.875(124)			7.52(191)	22.28(566)	7.52(191)	27.6(701)
14	4x6-10	13.5(343)	10(245)	4(102)	4.875(124)			7.52(191)	22.28(566)	7.52(191)	27.6(701)
15	4x6-10G	13.5(343)	10(245)	4(102)	4.875(124)			7.60(193)	22.28(566)	7.60(193)	27.6(701)
16	4x6-10H	13.5(343)	10(245)	4(102)	4.875(124)			7.60(193)	22.28(566)	7.60(193)	27.6(701)
17	1.5x3-13	10.5(267)	10(245)	4(102)	4.875(124)			7.60(193)	22.28(566)	7.60(193)	27.6(701)
18	2x3-13	11.5(292)	10(245)	4(102)	4.875(124)			7.52(191)	22.28(566)	7.52(191)	27.6(701)
19	3x4-13	12.5(318)	10(245)	4(102)	4.875(124)			7.53(192)	22.28(566)	7.54(191)	27.6(701)
20	4x6-13	13.5(343)	10(245)	4(102)	4.875(124)			7.74(197)	22.28(566)	7.74(197)	27.6(701)
21	6x8-13	16(406)	14.5(368)	6(152)	8(203)			9.49(241)	22.28(566)	9.49(241)	27.6(701)
22	8x10-13	18(457)	14.5(368)	6(152)	8(203)			9.76(248)	22.28(566)	9.78(248)	27.6(701)
23	6x8-15	18(457)	14.5(368)	6(152)	8(203)			9.72(247)	22.28(566)	9.72(247)	27.6(701)
24	8x10-15	19(483)	14.5(388)	6(152)	8(203)			9.74(248)	22.28(566)	9.74(248)	27.6(701)
25	8x10-15G	19(483)	14.5(368)	6(152)	8(203)			9.74(248)	22.28(566)	9.74(248)	27.6(701)

*Weight and dimensions are approximate and not to be used for construction unless Certified By Manufacturer.



QUALITY | COMMITMENT | ADAPTABILITY

CANADA

Headquarters

1180 Britannia Road East,
Mississauga, Ontario, L4W 1C8

☎ 1 - 866 - 217 - 7867

✉ sales@rotechpumps.com



USA

Headquarters

16640, W Basin St,
Odessa, Texas 79763

☎ 432 - 556 - 8652

✉ usasales@rotechpumps.com

www.rotechpumps.com