

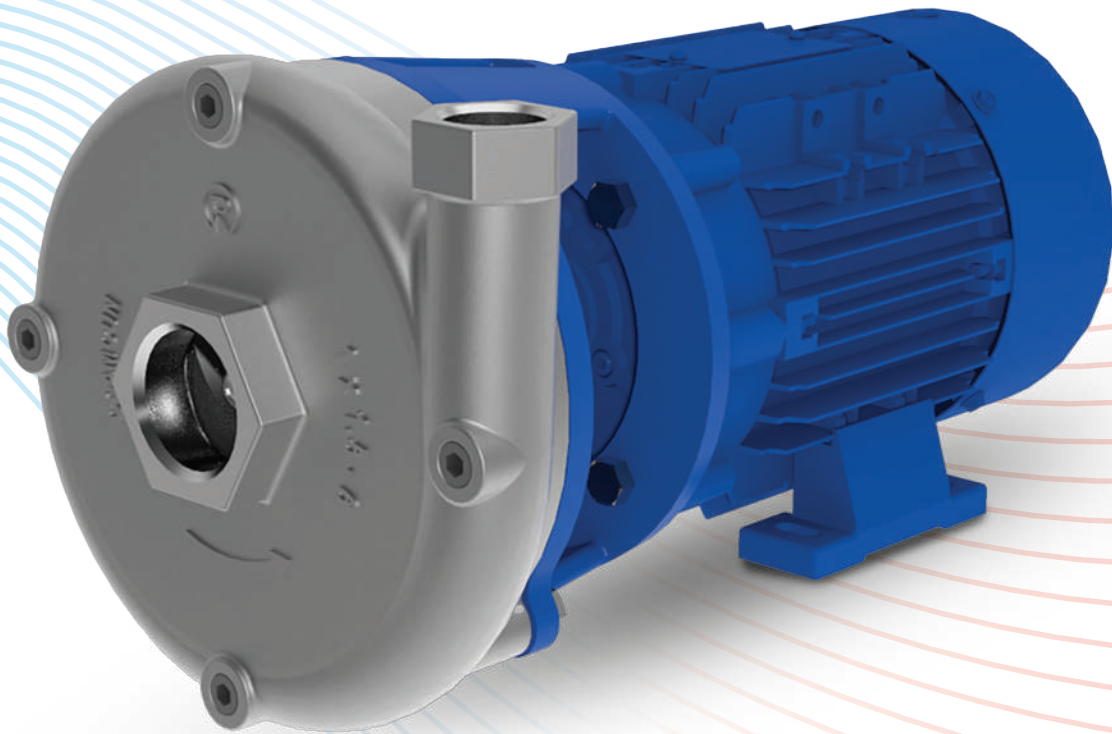
# HORIZONTAL CENTRIFUGAL PUMPS

## 1600 SERIES

CLOSE COUPLED PUMP

**ROTECH**

QUALITY | COMMITMENT | ADAPTABILITY



HIGH ON **PERFORMANCE**  
GREAT ON **RELIABILITY**

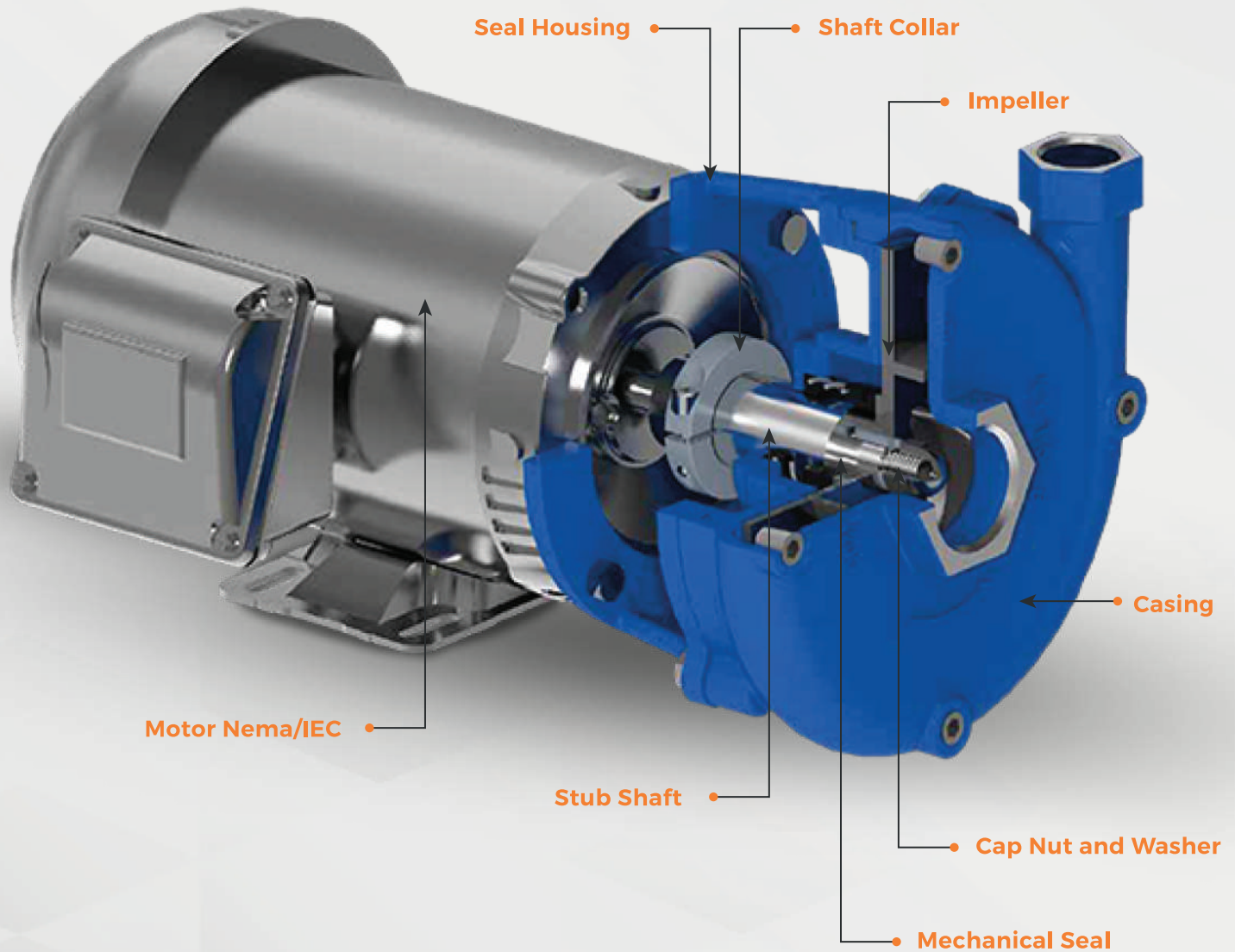
# PUMP DESIGN FEATURES

## Material Options

- Cast Iron, Ductile Iron, Carbon steel, CF8M, CD4MCuN and other materials

## Performance Features

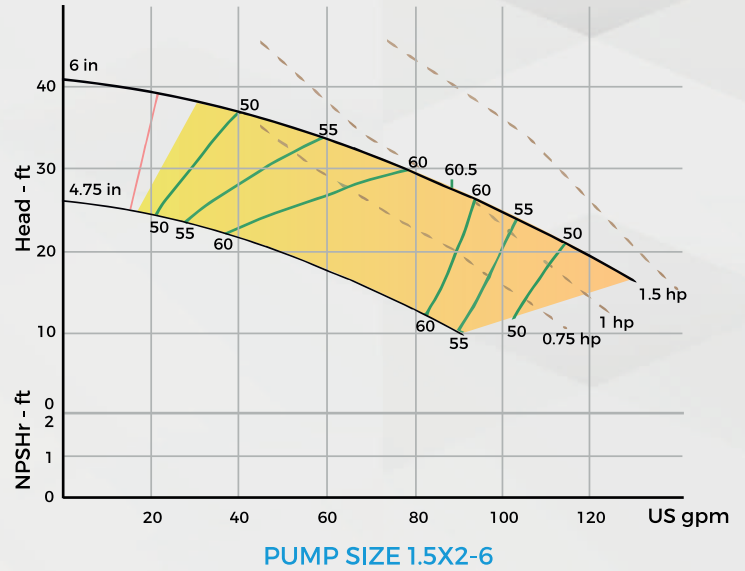
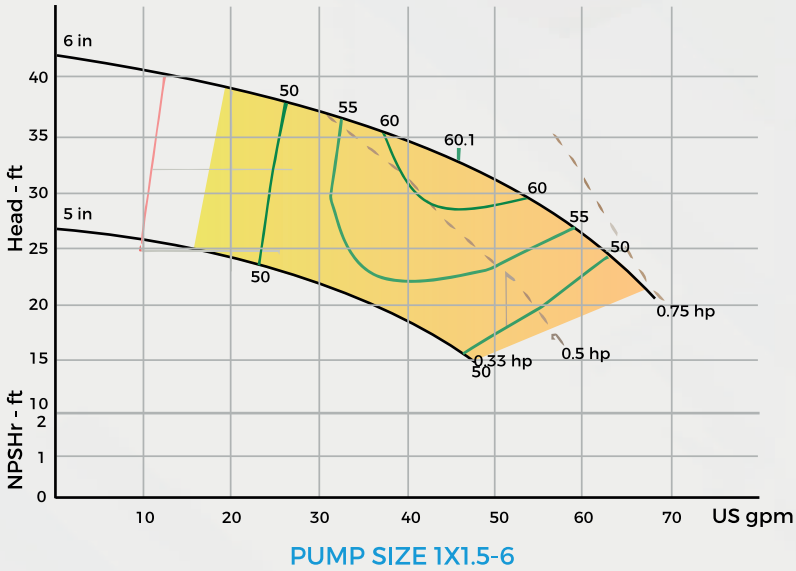
- Economical Close-Coupled design
- Semi-Open Non clogging Impeller Design
- Casing can be rotated in 180° to fit in with various piping requirements
- NPT Threaded Suction and Discharge Connection
- Inbuilt Hex Nut
- Standard Single coil Spring rubber bellow Type 21 Seal
- Back pull-out Design
- Stub shaft design as well as Sleeve Design



# HYDRAULIC PERFORMANCE COVERAGE

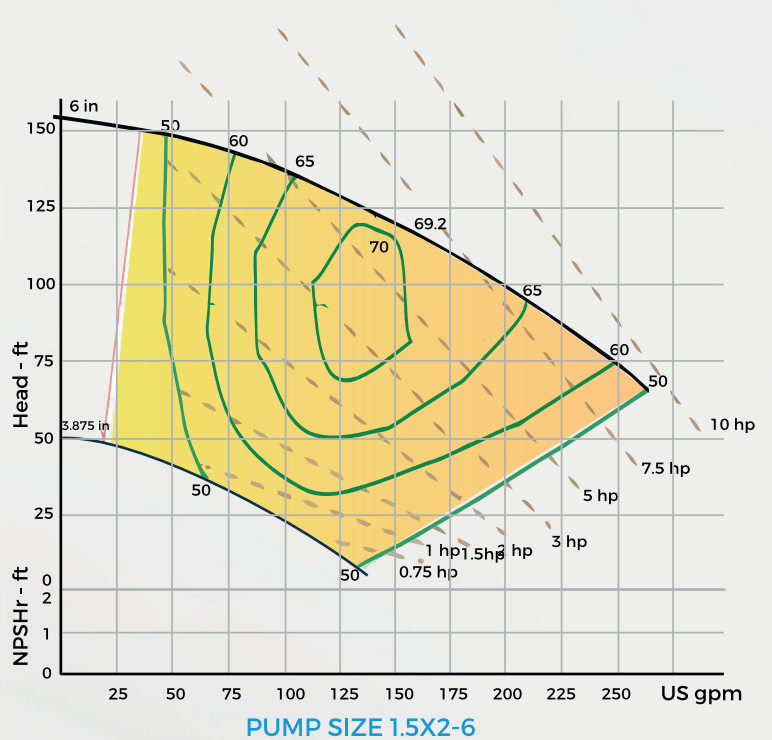
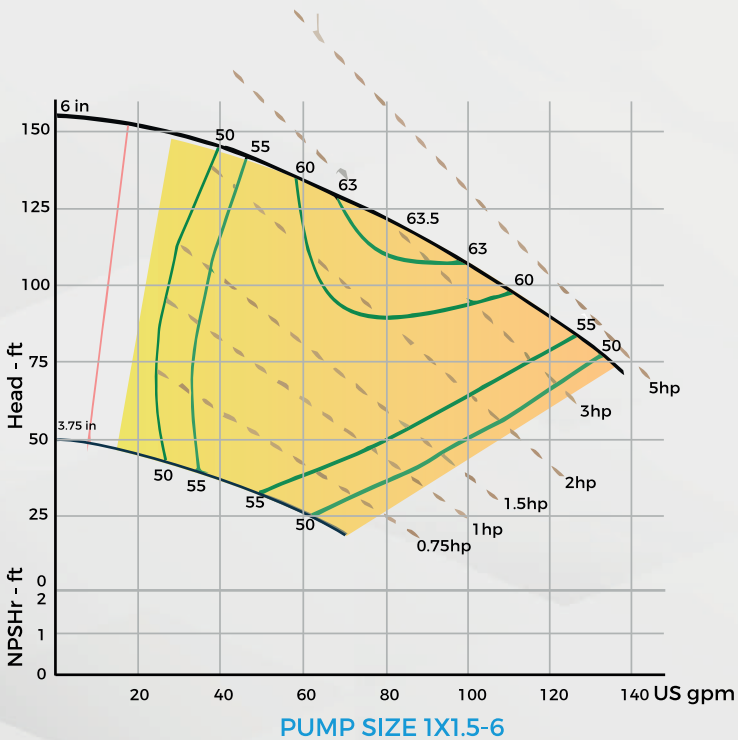
## With 4 Pole Motor (1800 RPM)

Capacity up to 130 GPM (30 m<sup>3</sup>/h) | Head up to 43 feet (13 m)

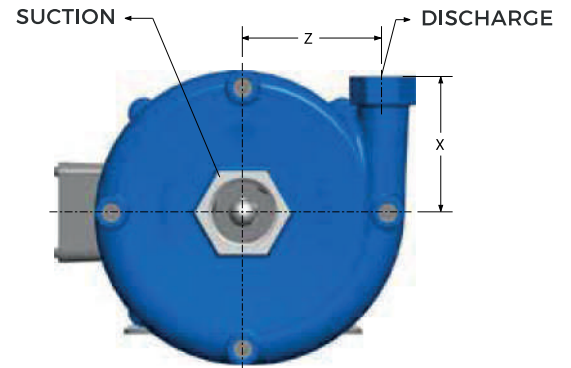
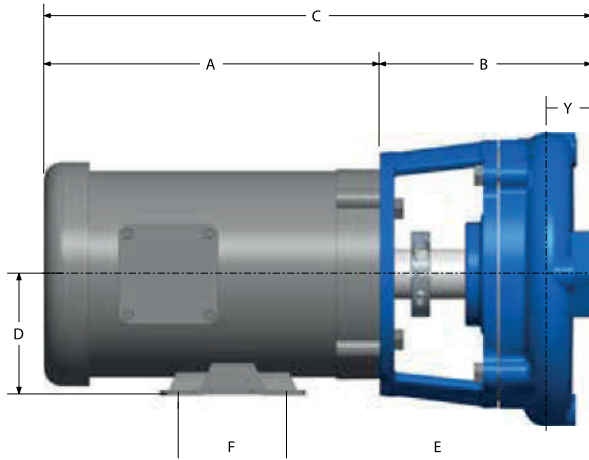


## With 2 Pole Motor (3600 RPM)

Capacity up to 260 GPM (60 m<sup>3</sup>/h) | Head up to 160 feet (48 m)



# DIMENSIONAL DATA



PUMP	RPM	HP	SUCTION	DISCHARGE	A	B	C	D	E	F	X	Y	Z						
1X1.5-6	1800	0.33	1	1.5	9.62 (244)	5.24 (133.3)	14.86 (377.4)	3.5 (89)	8 (203.2)	3 (76)	3.75 (95)	1.25 (31)	3.85 (98)						
		0.5																	
		0.75																	
	3600	1																	
		1																	
		1.5																	
		2																	
		3																	
		5												15.65 (398)	6.82 (173.4)	22.4 (568.9)	4.5 (114)	11.07 (281.2)	5.5 (139)
		7.5												17.15 (436)		24 (609.6)	5.25 (133)		7 (178)
10																			
1.5X2-6	1800	0.5	1.5	2	9.62 (244)	6.38 (162)	15.3 (388.6)	3.5 (89)	9.92 (252)	3 (76)	3.88 (98)	1.63 (41)	3.98 (101)						
		0.75																	
		1																	
	3600	1.5																	
		2																	
		3																	
		5												15.65 (398)	7.24 (184)	22.9 (581.6)	4.5 (114)	11.5 (292)	5.5 (139)
		7.5												17.15 (436)		24.4 (619.7)	5.25 (133)		7 (178)
		10																	

Weights and dimensions are approximate and not to be used for construction unless Certified By Manufacturer.

## CANADA

Headquarters

1180 Britannia Road East,  
Mississauga, Ontario, L4W 1C8

☎ 1 - 866 - 217 - 7867

✉ sales@rotechpumps.com



## USA

Headquarters

16640, W Basin St,  
Odessa, Texas 79763

☎ 432 - 556 - 8652

✉ usasales@rotechpumps.com